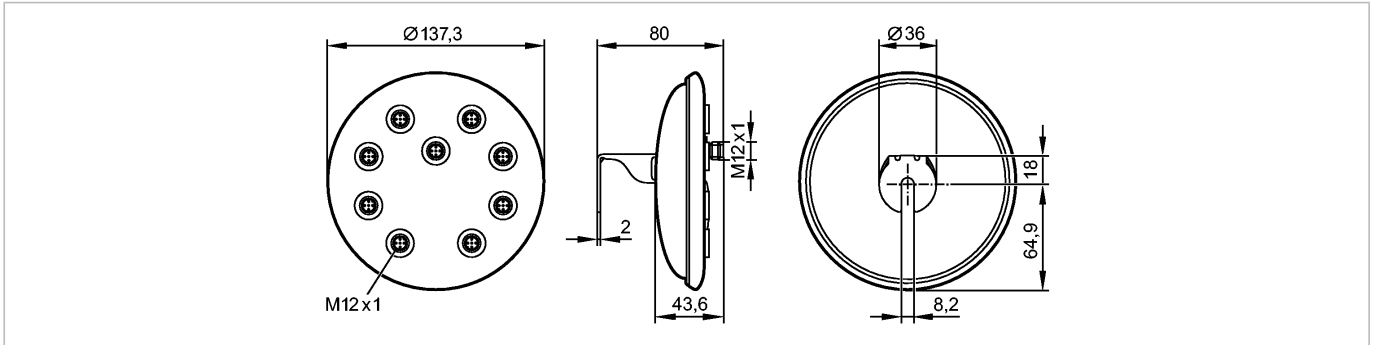




ProcessLine 8 SB IP69K

AS-Interface bus system



**Product characteristics**

Passive splitter box AS-i ProcessLine

Sockets M12 x 1

Protection rating IP 69K

high-grade stainless steel

AS-i and AUX splitter box for the connection of intelligent sensors/actuators

**Electrical data**

Electrical design

8-way splitter box

Operating voltage [V]

26.5...31.6 DC (AS-i)

Max. current load per module [mA]

4000

Inputs

Voltage range [V]

20...30 DC (AUX)

Outputs

External voltage supply

according to PELV

Max. current load per output [mA]

4000

Environment

Ambient temperature [°C]

-5...70

Protection

IP 68 / IP 69K

Tests / approvals

EMC

EN 50295

AS-i classification

AS-i certificate

in preparation

Mechanical data

Housing materials

high-grade stainless steel; Makrolon

Weight [kg]

0.615

Electrical connection

Connection

via stainless steel splitter E70354

**Wiring**

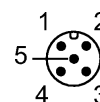
1: AS-i+

2: 0 V

3: AS-i -

4: +24 V

5: functional earth



Accessories

Accessories (included)

M12 protective cap (E70297)

Accessories (optional)

torque wrench (E70390)

Remarks

Pack quantity [piece]

1