

no longer available - archive entry

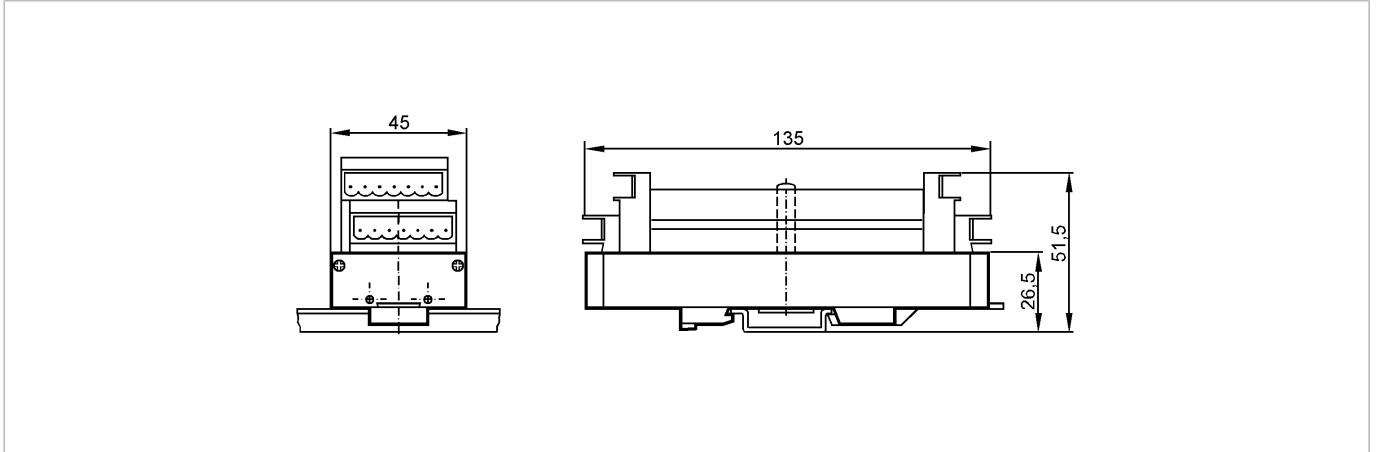
ecomat300

AC2807



CabinetModule 4DI 4DO R C

AS-Interface bus system



Product characteristics

Active AS-i module

Mounting on DIN rail and panel

Combicon connection

String mounting possible

Digital inputs and outputs

Electrical data

Electrical design

4 inputs / 4 outputs

Operating voltage [V]

26.5...31.6 DC

Current consumption [mA]

60

Max. current load per module [mA]

6000

Inputs

digital

Circuit

PNP

Sensor supply

external to PELV

Voltage range [V]

18...30 DC

Max. current load for all inputs total [mA]

200

Input current High/Low [mA]

> 5 / < 1.5

Switching level High signal 1 [V]

> 10

Short-circuit proof

no

Outputs

digital

Output function

Relay

Voltage range [V]

240V AC / 24V DC

External voltage supply

yes

Max. current load per output [mA]

2500

Electrically separated

yes

Integrated watchdog

yes

Short-circuit proof

no

Environment

Ambient temperature [°C]

-25...50

Protection

IP 20

Tests / approvals

EMC

EN 50295

EN 50178

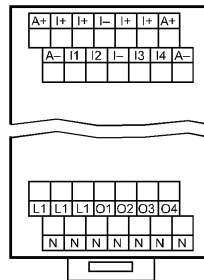
AS-i classification

AC2807 - Active AS-i module - eclass: 27259090 / 27-25-90-90

AS-i profile		S-7.0
I/O configuration [hex]		7
ID code [Hex]		0
Mechanical data		
Housing materials		PA; PVC
Weight [kg]		0.172
Displays / operating elements		
Output status indication	LED	yellow
Power	LED	green
Electrical connection		
Connection		Combicon

Wiring

- A+: AS-i +
- A-: AS-i -
- I+: Sensor supply +24V
- I-: Sensor supply 0V
- L1: External supply - (DC) / L1 (AC)
- N: External supply - (DC) / N (AC)
- I1...I4: Switching input sensor 1...4
- O1...O4: Switching output actuator 1...4



Accessories		
Accessories (optional)		Combicon connector with screw terminals (E70198)
Remarks		
Pack quantity	[piece]	1