

no longer available - archive entry Alternative article: AC2258

When selecting an alternative article and accessories please note that technical data may differ!

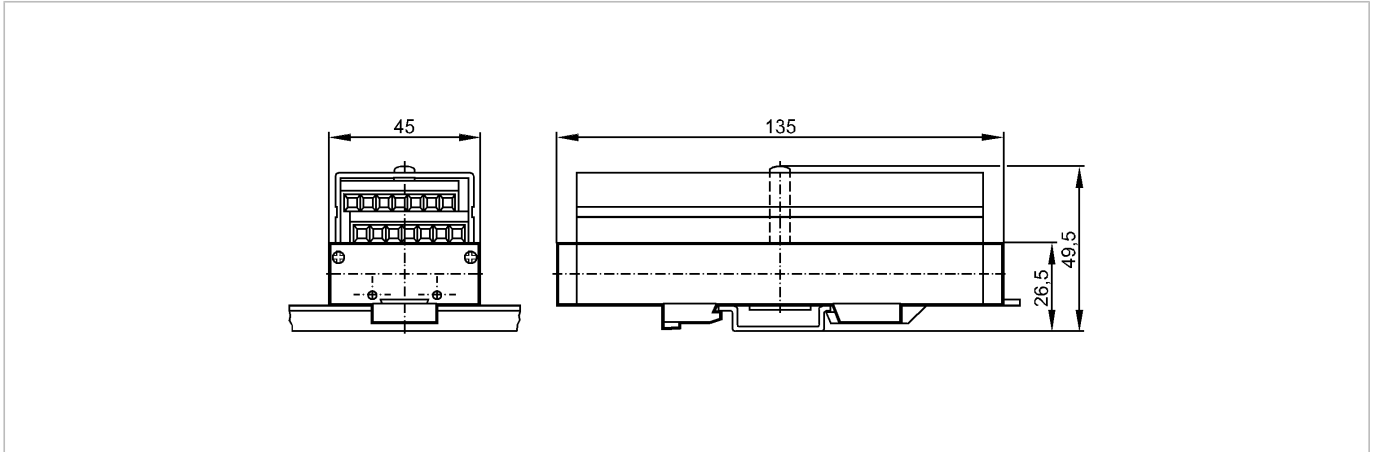
ecomat300

AC2802



CabinetModule 4DI 4DO R ST

AS-Interface bus system



Product characteristics

Active AS-i module

Mounting on DIN rail and panel

Screw terminal

String mounting possible

Digital inputs and outputs

Electrical data

Electrical design

4 inputs / 4 outputs

Operating voltage [V]

26.5...31.6 DC

Current consumption [mA]

< 280

Max. current load per module [mA]

6000

Inputs

digital

Circuit

PNP

Sensor supply

AS-i

Voltage range [V]

18...30 DC

Max. current load for all inputs total [mA]

200

Input current High/Low [mA]

> 3 / < 1.5

Switching level High signal 1 [V]

> 10

Short-circuit proof

yes

Outputs

digital

Output function

relay 3 potentials

Voltage range [V]

240V AC / 24V DC

External voltage supply

yes

Max. current load per output [mA]

2500

Electrically separated

yes

Environment

Ambient temperature [°C]

-25...50

Protection

IP 20

Tests / approvals

EMC

EN 50295

EN 50178

AS-i classification

AS-i profile

S-7.0

I/O configuration [hex]

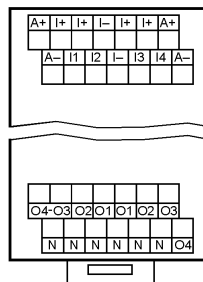
7

AC2802 - Active AS-i module - eclass: 27259090 / 27-25-90-90

ID code [Hex]	0
AS-i certificate	11601
Mechanical data	
Housing materials	PA; PVC
Weight [kg]	0.134
Displays / operating elements	
Output status indication LED	yellow
Power LED	green
Electrical connection	
Connection	28 screw terminals

Wiring

- A+: AS-i +
- A-: AS-i -
- I+: Sensor supply +24V
- I-: Sensor supply 0V
- O4-O3/O2/O1: External supply + (DC) / L1 (AC)
- N: External supply - (DC) / N (AC)
- I1...I4: Switching input sensor 1...4
- O1...O4: Switching output actuator 1...4



Remarks	
Remarks	Do not connect any of the points I-, I+, I1, I2, I3, I4 to an external potential since they are electrically connected to the AS-i cable.
Pack quantity [piece]	1

ifm efector, inc. • 1100 Atwater Drive • Malvern • PA 19355 — We reserve the right to make technical alterations without prior notice. — US — AC2802 — 19.06.2012
 no longer available - archive entry Alternative article: AC2258

When selecting an alternative article and accessories please note that technical data may differ!