

no longer available - archive entry

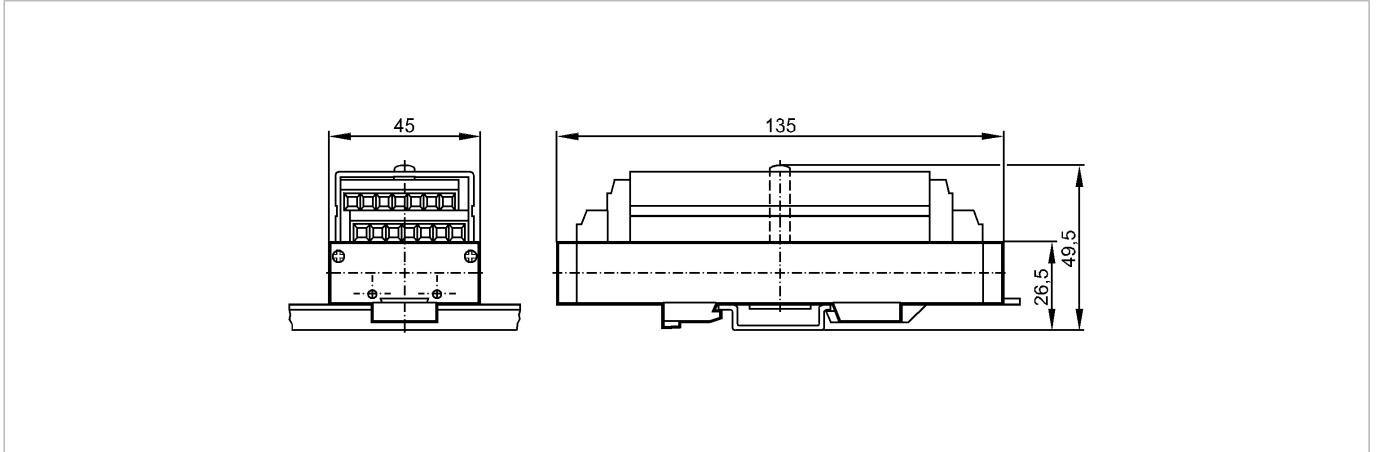
ecomat300

AC2717



CabinetModule 4DO T ST

AS-Interface bus system



Product characteristics

Active AS-i module

Mounting on DIN rail and panel

Screw terminal

String mounting possible

Digital outputs

Electrical data

Electrical design

4 outputs

Operating voltage [V]

26.5...31.6 DC

Current consumption [mA]

< 80

Max. current load per module [mA]

4000

Outputs

digital

Output function

transistor PNP

Voltage range [V]

10...30 DC

External voltage supply

according to PELV

Max. current load per output [mA]

1000

Electrically separated

yes

Short-circuit proof

yes

Environment

Ambient temperature [°C]

-25...70

Protection

IP 20

Tests / approvals

EMC

EN 50295

AS-i classification

AS-i profile

S-8.0

I/O configuration [hex]

8

ID code [Hex]

0

AS-i certificate

01601

Mechanical data

Housing materials

PA; PVC

Weight [kg]

0.135

Displays / operating elements

Output status indication LED

yellow

Power LED

green

Error LED

red (short-circuit)

Electrical connection

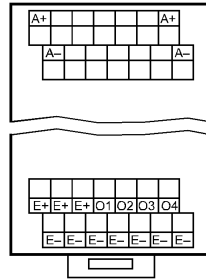
AC2717 - Active AS-i module - eclass: 27259090 / 27-25-90-90

Connection

28 screw terminals

Wiring

- A+: AS-i+
- A-: AS-i-
- E+: Actuator supply +24V
- E-: Actuator supply 0V
- O1...O4: Switching output actuator 1...4



Remarks

Remarks

Do not connect any of the points I-, I+, I1, I2, I3, I4 to an external potential since they are electrically connected to the AS-i cable.

Pack quantity [piece]

1