

no longer available - archive entry

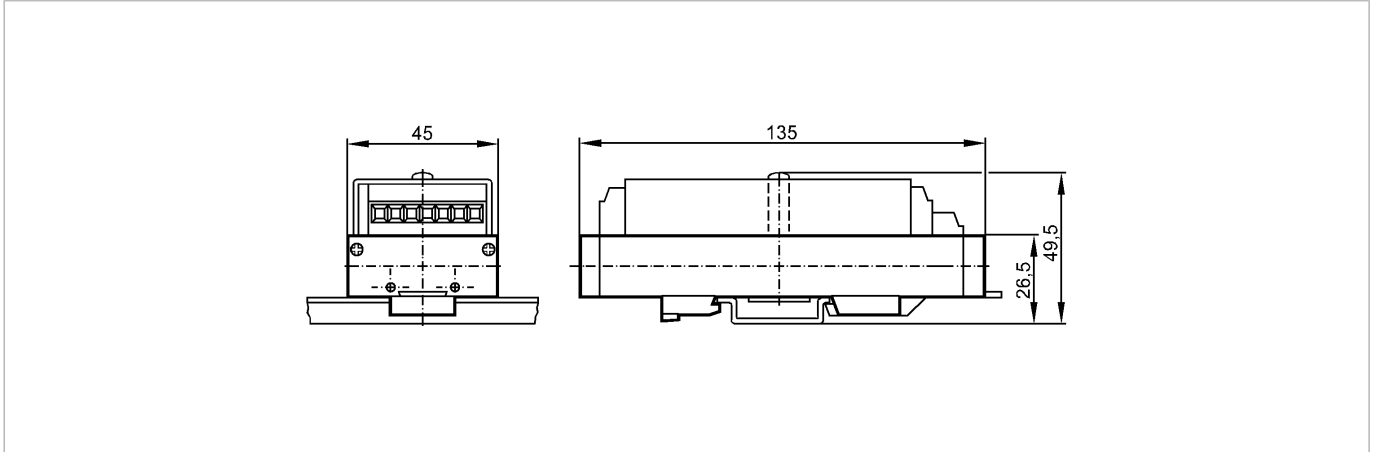
ecomat300

AC2606



AnalogModule 4AI Pt100 ST

AS-Interface bus system



Product characteristics

Active AS-i module

Mounting on DIN rail and panel

Screw terminal

String mounting possible

Pt 100 inputs

Electrical data

Electrical design

4 inputs

Operating voltage [V]

26.5...31.6 DC

Current consumption [mA]

< 90

Inputs

digital

Sensor supply

AS-i

Max. current load for all inputs

total [mA]

1

Short-circuit proof

yes

Outputs

analog

Resolution [Bit]

16 Bit / 0.1°C

Measuring / setting range

value range [°C]

-200...850

Environment

Ambient temperature [°C]

0...70

Protection

IP 20

AS-i classification

AS-i profile

S-7.1

I/O configuration [hex]

7

ID code [Hex]

1

AS-i certificate

in preparation

Mechanical data

Housing materials

PA; PVC

Weight [kg]

0.149

Displays / operating elements

Power LED

green

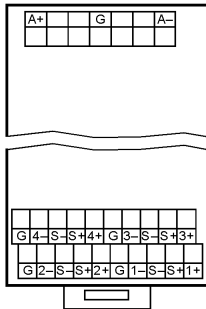
Electrical connection

Connection

27 screw terminals

Wiring

AC2606 - Active AS-i module - eclass: 27242601 / 27-24-26-01



Remarks	
Remarks	Accessories (option): LCD display E70127 to be inserted into the modul
Pack quantity [piece]	1
Other data	
A/D conversion	accuracy: $\pm 0.2 \text{ }^\circ\text{C}$ conversion time: 480 ms for 4 channels
Measuring probes	connection: 4-wire linearisation for Pt 100 according to IEC 751

ifm efector, inc. • 1100 Atwater Drive • Malvern • PA 19355 — We reserve the right to make technical alterations without prior notice. — US — AC2606 — 06.03.2003
no longer available - archive entry