

no longer available - archive entry Alternative article: AC5215

When selecting an alternative article and accessories please note that technical data may differ!

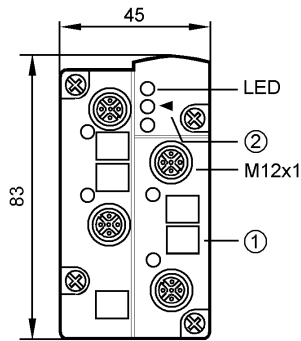
**ecomat300**

AC2515



ClassicLine 4DI M12

AS-Interface bus system



1: label

2: fixture infrared adapter



Product characteristics

Active ClassicLine module

AS-i interface to FC lower parts

Sockets M12 x 1

IR addressing possible

Version 2.1 with extended addressing mode

Digital inputs

Electrical data

Electrical design

4 inputs

Operating voltage [V]

26.5...31.6 DC

Total current consumption from AS-i [mA]

< 150

Inputs

digital

Circuit

DC PNP

Sensor supply

AS-i

Voltage range [V]

18...30 DC \*)

Max. current load for all inputs total [mA]

100

Input current High/Low [mA]

6...10 / 0...2

Switching level High signal 1 [V]

>11

Short-circuit proof

yes

Environment

Ambient temperature [°C]

-25...70

Protection

IP 67

Tests / approvals

EMC

EN 50295

MTTF [Years]

410

AS-i classification

AS-i version

2.1

Extended addressing mode possible

yes

AS-i profile

S-0.A.E

I/O configuration [hex]

0

ID code [Hex]

A.E

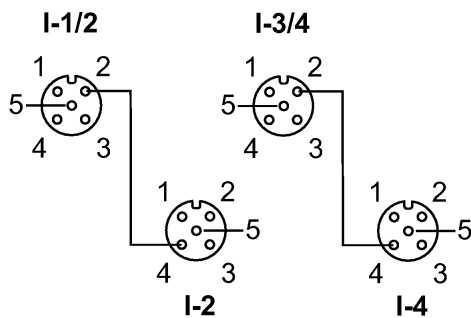
AS-i certificate

in preparation

# AC2515 - Active ClassicLine module - eclass: 27259090 / 27-25-90-90

Data bits	<b>Data bit</b>	<b>D0</b>	<b>D1</b>	<b>D2</b>	<b>D3</b>
	Input	1	2	3	4
	Socket	I-1/2	I-1/2 I-2	I-3/4	I-3/4 I-4
	Pin	4	2 4	4	2 4
Mechanical data					
Housing materials	PBT (Pocan)				
Weight [kg]	0.112				
Displays / operating elements					
Power LED	green				
Error LED	red				
Function display LED	yellow				
Electrical connection					
Connection	contact pins on FC or SC lower module				

## Wiring



Inputs	Socket I-3/4
Socket I-1/2	1: Sensor supply L+
1: Sensor supply L+	2: Data input 4
2: Data input 2	3: Sensor supply L-
3: Sensor supply L-	4: Data input 3
4: Data input 1	5: not used
5: not used	
	Socket I-4
Socket I-2	1: Sensor supply L+
1: Sensor supply L+	2: not used
2: not used	3: Sensor supply L-
3: Sensor supply L-	4: Data input 4
4: Data input 2	5: not used
5: not used	

Accessories	
Accessories (optional)	Module lower part
Remarks	
Remarks	Do not connect any of the points I-, I+, I-1/2, I-2, I-3/4, I-4 to an external potential since they are electrically connected to the AS-i cable. *) via flat cable
Pack quantity [piece]	1

ifm efector, inc. • 1100 Atwater Drive • Malvern • PA 19355 — We reserve the right to make technical alterations without prior notice. — US — AC2515 — 04.09.2013

no longer available - archive entry Alternative article: AC5215

When selecting an alternative article and accessories please note that technical data may differ!