

no longer available - archive entry Alternative article: AC5204

When selecting an alternative article and accessories please note that technical data may differ!

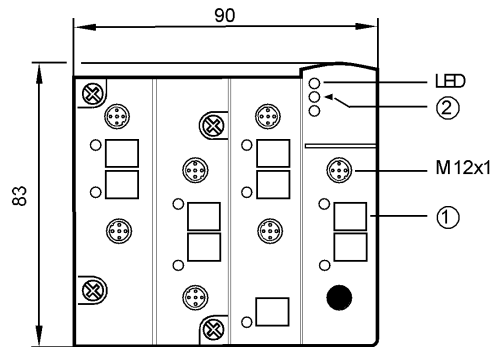
**ecomat300**

AC2504



ClassicLine 4DI 3DO T M12

AS-Interface bus system



1: label

2: fixture infrared adapter



Product characteristics

Active ClassicLine module

AS-i interface to FC-E lower parts

Sockets M12 x 1

IR addressing possible

Version 2.1 with extended addressing mode

Digital inputs and outputs

Electrical data

Electrical design

4 inputs / 3 outputs

Operating voltage [V]

26.5...31.6 DC

Total current consumption from AS-i [mA]

< 180

Max. current load per module [mA]

2000

Inputs

digital

Circuit

DC PNP

Sensor supply

AS-i

Voltage range [V]

18...30 DC \*\*)

Max. current load for all inputs total [mA]

100

Input current High/Low [mA]

6...10 / 0...2

Switching level High signal 1 [V]

> 11

Short-circuit proof

yes

Outputs

digital

Output function

transistor PNP

Voltage range [V]

24 DC (15...30 DC) \*\*)

External voltage supply

according to PELV

Max. current load per output [mA]

1000 \*)

Electrically separated

yes

Integrated watchdog

yes

Short-circuit proof

yes

Environment

Ambient temperature [°C]

-25...70

Protection

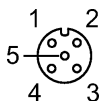
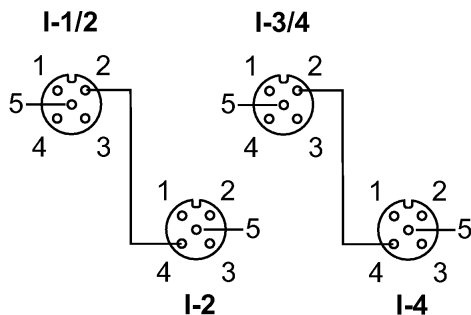
IP 67

# AC2504 - Active ClassicLine module - eclass: 27259090 / 27-25-90-90

## Tests / approvals

EMC	EN 50295																																			
MTTF [Years]	175																																			
AS-i classification																																				
AS-i version	2.1																																			
Extended addressing mode possible	yes																																			
AS-i profile	S-7.A.E																																			
I/O configuration [hex]	7																																			
ID code [Hex]	A.E																																			
AS-i certificate	in preparation																																			
Data bits	<table border="1"> <thead> <tr> <th>Data bit</th> <th>D0</th> <th>D1</th> <th>D2</th> <th>D3</th> </tr> </thead> <tbody> <tr> <td>Input</td> <td>1</td> <td>2</td> <td>3</td> <td>4</td> </tr> <tr> <td>Socket</td> <td>I-1/2</td> <td>I-1/2 I-2</td> <td>I-3/4</td> <td>I-3/4 I-4</td> </tr> <tr> <td>Pin</td> <td>4</td> <td>2 4</td> <td>4</td> <td>2 4</td> </tr> <tr> <td>Output</td> <td>1</td> <td>2</td> <td>3</td> <td>-</td> </tr> <tr> <td>Socket</td> <td>O-1</td> <td>O-2</td> <td>O-3</td> <td>-</td> </tr> <tr> <td>Pin</td> <td>4</td> <td>4</td> <td>4</td> <td>-</td> </tr> </tbody> </table>	Data bit	D0	D1	D2	D3	Input	1	2	3	4	Socket	I-1/2	I-1/2 I-2	I-3/4	I-3/4 I-4	Pin	4	2 4	4	2 4	Output	1	2	3	-	Socket	O-1	O-2	O-3	-	Pin	4	4	4	-
Data bit	D0	D1	D2	D3																																
Input	1	2	3	4																																
Socket	I-1/2	I-1/2 I-2	I-3/4	I-3/4 I-4																																
Pin	4	2 4	4	2 4																																
Output	1	2	3	-																																
Socket	O-1	O-2	O-3	-																																
Pin	4	4	4	-																																
Mechanical data																																				
Housing materials	PBT (Pocan)																																			
Weight [kg]	0.194																																			
Displays / operating elements																																				
Power LED	green																																			
Error LED	red																																			
Function display LED	yellow																																			
Electrical connection																																				
Connection	Contact pins at FK-E lower part																																			

## Wiring



Inputs	Socket I-3/4
Socket I-1/2	1: Power supply L+
1: Sensor supply L+	2: Data input 4
2: Data input 2	3: Sensor supply L-
3: L-	4: Data input 3
4: Data input 1	5: not used
5: not used	
Socket I-2	Socket I-4
1: Sensor supply L+	1: Sensor supply L+
2: not used	2: not used
3: Sensor supply L-	3: Sensor supply L-
4: Data input 2	4: Data input 4
5: not used	5: not used
Outputs	
1: not used	
2: not used	
3: External voltage AUX -	
4: Switching output +	
5: not used	

## Accessories

Accessories (optional)	Module lower part
Remarks	
Remarks	<p>*) Utilisation category (DC13): The switch-on and switch-off capacity for the triggering of solenoids is rated up to 20 W (to IEC 60947-5-1)</p> <p>Inputs and outputs must be electrically isolated.</p> <p>**) via flat cable</p> <p>Do not connect any of the points I-, I+, I-1/2, I-2, I-3/4, I-4 to an external potential since they are electrically connected to the AS-i cable.</p>

**AC2504 - Active ClassicLine module - eclass: 27259090 / 27-25-90-90**

Pack quantity [piece] 1

ifm efector, inc. • 1100 Atwater Drive • Malvern • PA 19355 — We reserve the right to make technical alterations without prior notice. — US — AC2504 — 04.09.2013

no longer available - archive entryAlternative article: AC5204

When selecting an alternative article and accessories please note that technical data may differ!