

Alternative article: AC2484

When selecting an alternative article and accessories please note that technical data may differ!

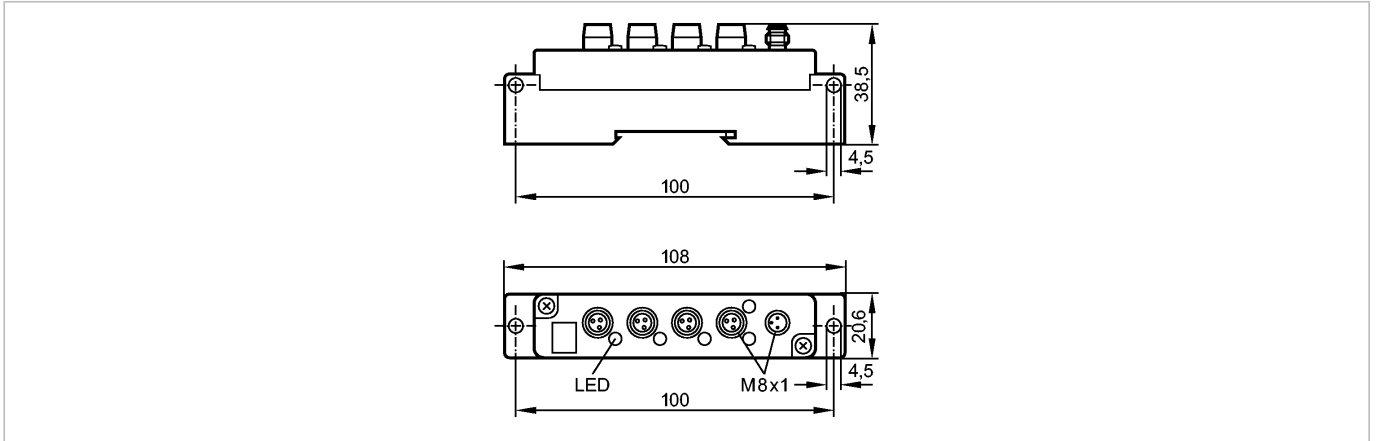
ecomat300

AC2480



CompactLine M8 4DI

AS-Interface bus system



Product characteristics

Active AS-i module

Mounting on DIN rail and panel

Sockets M8 x 1

Version 3.0 with extended addressing mode

Digital inputs

Electrical data

Electrical design

4 inputs

Operating voltage [V]

26.5...31.6 DC

Total current consumption from AS-i [mA]

< 120

Inputs

digital

Circuit

PNP

Sensor supply

AS-i

Voltage range [V]

18...30 DC

Max. current load for all inputs total [mA]

100

Input current High/Low [mA]

6...10 / 0...2

Switching level High signal 1 [V]

> 11

Short-circuit proof

yes

Outputs

digital

Output function

transistor PNP

Environment

Ambient temperature [°C]

-15...60

Protection

IP 67

Tests / approvals

EMC

EN 50295

AS-i classification

AS-i version

2.11 + 3.0

Extended addressing mode possible

yes

AS-i profile

S-0.A.E

I/O configuration [hex]

0

ID code [Hex]

A.E

AS-i certificate

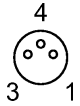
in preparation

Mechanical data

AC2480 - Active AS-i module - eclass: 27259090 / 27-25-90-90

Housing materials		PA; O-ring: FPM (Viton); Piercing contacts: CuSn6 surface nickel and tin-plated
Weight	[kg]	0.107
Displays / operating elements		
Output status indication	LED	yellow
Power	LED	green
Electrical connection		

Wiring



Inputs
 1: sensor supply L+
 3: sensor supply L-
 4: data input



M8 connector
 1: AS-i +
 3: AS-i -
 4: not connected (n.c.)

Accessories		
Accessories (optional)		stainless steel sleeve for installation in case of high mechanical stress (E70402)
Remarks		
Pack quantity	[piece]	1

ifm efector, inc. • 1100 Atwater Drive • Malvern • PA 19355 — We reserve the right to make technical alterations without prior notice. — US — AC2480 — 04.09.2013

Alternative article: AC2484

When selecting an alternative article and accessories please note that technical data may differ!