

no longer available - archive entry replaced by: AC2457

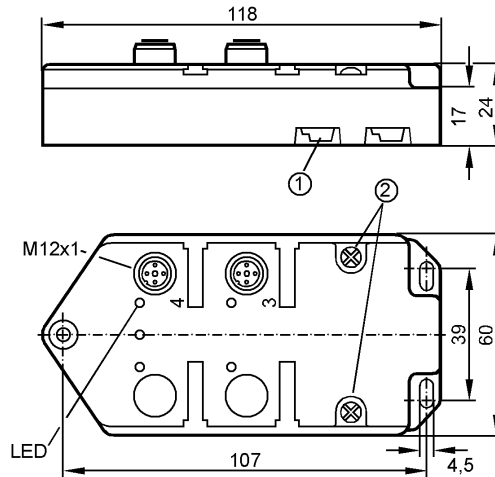
ecomat300

AC2450



CompactModule/2x2DI/M12

AS-Interface bus system



1: AS-i supply
2: earth spring



Product characteristics

Active AS-i compact module

AS-i flat cable connection

Sockets M12 x 1

Digital inputs

Electrical data

Electrical design

Operating voltage [V]

Current consumption [mA]

Inputs

digital

Circuit

Sensor supply

Voltage range [V]

Max. current load for all inputs total [mA]

Input current High/Low [mA]

Switching level High signal 1 [V]

Short-circuit proof

Environment

Ambient temperature [°C]

Protection

Tests / approvals

EMC

AS-i classification

AS-i profile

I/O configuration [hex]

ID code [Hex]

AS-i certificate

Data bits

Mechanical data

Housing materials

Weight [kg]

Displays / operating elements

2 x 2 inputs

26.5...31.6 DC

< 242

PNP

AS-i

20...30 DC

200

> 5 / < 1.5

> 10

yes

-25...80

IP 67

EN 50295

S-0.1

0

1

in preparation

Data bit

D0

D1

D2

D3

socket

I-1/2 / pin 4

I-1/2 / pin 2

I-3/4 / pin 4

I-3/4 / pin 2

PUR

0.215

AC2450 - Active AS-i compact module - eclass: 27259090 / 27-25-90-90

Power	LED	green
Function display	LED	yellow

Electrical connection

Wiring



Inputs

- 1: Sensor supply L+
- 2: Data input 2
- 3: Sensor supply L-
- 4: Data input 1

Remarks

Pack quantity	[piece]	1
---------------	---------	---

ifm efector, inc. • 1100 Atwater Drive • Malvern • PA 19355 — We reserve the right to make technical alterations without prior notice. — US — AC2450 — 17.08.2005
no longer available - archive entry replaced by: AC2457