

no longer available - archive entry Alternative article: AC2411

When selecting an alternative article and accessories please note that technical data may differ!

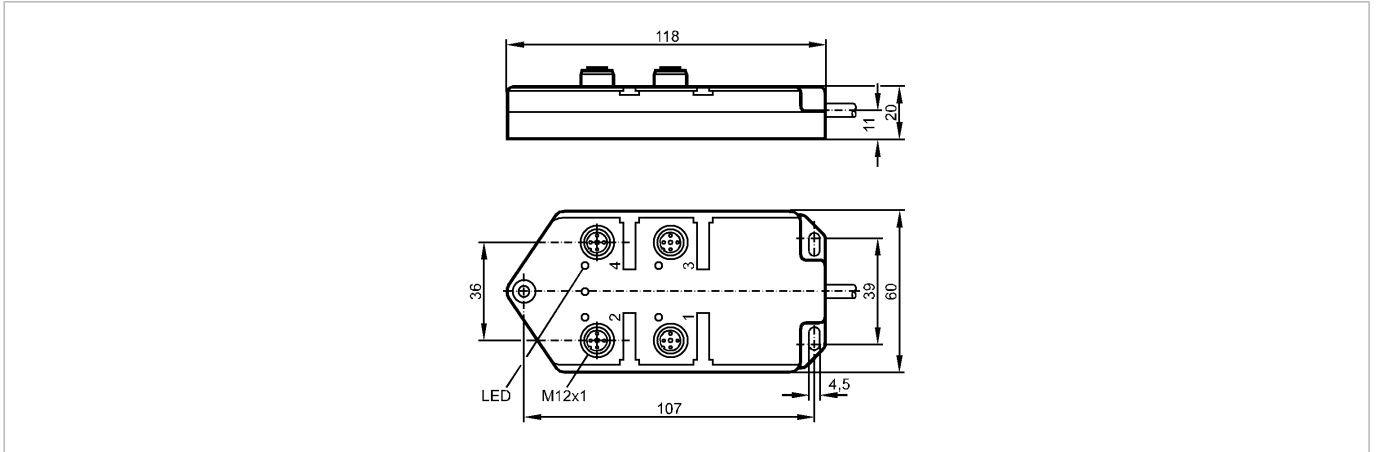
**ecomat300**

AC2427



Compactmodul aktiv, 2E/2AT PNP

AS-Interface bus system



Product characteristics

Active AS-i compact module

AS-i signals and external supply via round cable

Sockets M12 x 1

PE connection possible

Digital inputs and outputs

Electrical data

Electrical design

2 inputs / 2 outputs

Operating voltage [V]

26.5...31.6 DC

Current consumption [mA]

< 142

Max. current load per module [mA]

4000

Inputs

digital

Circuit

PNP

Sensor supply

AS-i

Voltage range [V]

20...30 DC

Max. current load for all inputs total [mA]

100

Input current High/Low [mA]

> 5 / < 1.5

Switching level High signal 1 [V]

> 10

Short-circuit proof

yes

Outputs

digital

Output function

transistor PNP

Voltage range [V]

24 DC (10...30 DC \*)

External voltage supply

according to PELV

Max. current load per output [mA]

2000

Electrically separated

yes

Integrated watchdog

yes

Short-circuit proof

yes

Environment

Ambient temperature [°C]

-25...80

Protection

IP 67; IP67 if the flat cables AC4000 and AC4002 are used

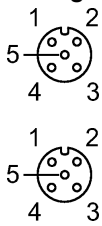
Tests / approvals

EMC

EN 50295

AS-i classification

**AC2427 - Active AS-i compact module - eclass: 27259090 / 27-25-90-90**

AS-i profile	S-3.0				
I/O configuration [hex]	3				
ID code [Hex]	0				
AS-i certificate	05801				
Data bits	<b>Data bit</b>	<b>D0</b>	<b>D1</b>	<b>D2</b>	<b>D3</b>
	socket	I-1 / pin 2+4	I-2 / pin 2+4	O-3 / pin 4	O-4 / pin 4
Mechanical data					
Housing materials	PUR				
Weight [kg]	0.297				
Displays / operating elements					
Power LED	green				
Function display LED	yellow				
Electrical connection					
Connection	Cable; M12 connector / 2 m				
<b>Wiring</b>					
	<p>Inputs</p> <p>1: Sensor supply L+</p> <p>2+4: Data input (internally bridged)</p> <p>3: Sensor supply L-</p> <p>Outputs</p> <p>3: External voltage -</p> <p>4: Switched output +</p> <p>5: Protective earth (PE)</p>				
Accessories					
Accessories (optional)	stainless steel sleeve for installation in case of high mechanical stress (E70402)				
Remarks					
Remarks	*) via round cable Inputs and outputs must be electrically isolated.				
Pack quantity [piece]	1				

ifm efector, inc. • 1100 Atwater Drive • Malvern • PA 19355 — We reserve the right to make technical alterations without prior notice. — US — AC2427 — 19.06.2012

no longer available - archive entryAlternative article: AC2411

When selecting an alternative article and accessories please note that technical data may differ!