

no longer available - archive entry

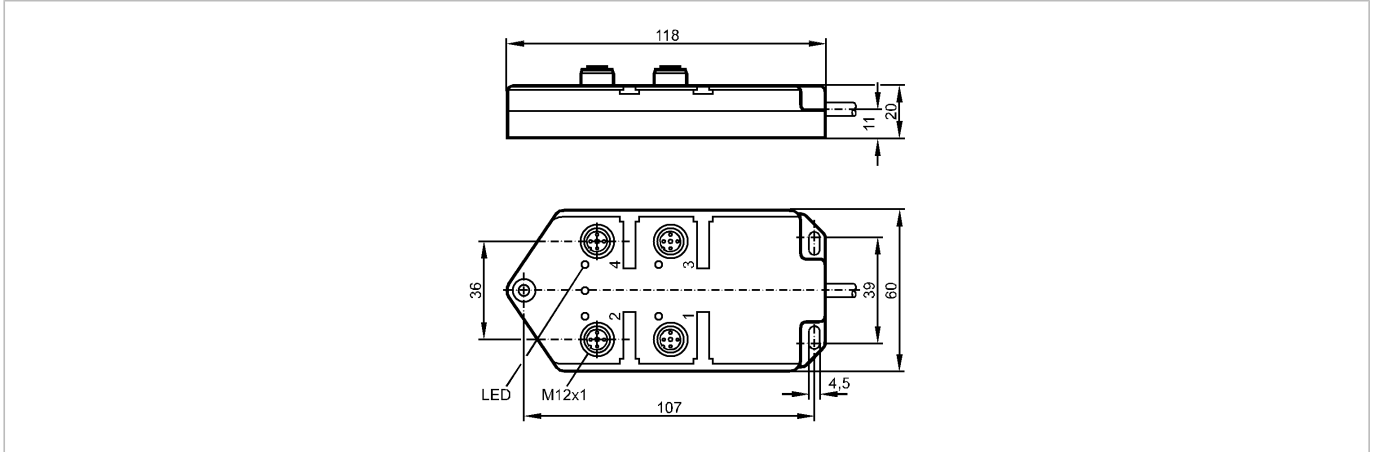
ecomat300

AC2422



Compactmodul aktiv, 4E 200mA

AS-Interface bus system



Product characteristics

Active AS-i compact module

AS-i signals and external supply via round cable

Sockets M12 x 1

PE connection possible

Digital inputs

Electrical data

Electrical design

Operating voltage [V]

Current consumption [mA]

Inputs

digital

Circuit

Sensor supply

Voltage range [V]

Max. current load for all inputs total [mA]

Input current High/Low [mA]

Switching level High signal 1 [V]

Short-circuit proof

Environment

Ambient temperature [°C]

Protection

Tests / approvals

EMC

AS-i classification

AS-i profile

I/O configuration [hex]

ID code [Hex]

AS-i certificate

Data bits

Mechanical data

Housing materials

Weight [kg]

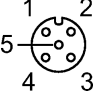
Displays / operating elements

Power

LED

Operating voltage [V]	4 inputs				
Current consumption [mA]	26.5...31.6 DC				
Inputs digital	< 242				
Circuit	PNP				
Sensor supply	AS-i				
Voltage range [V]	20...30 DC				
Max. current load for all inputs total [mA]	200				
Input current High/Low [mA]	> 5 / < 1.5				
Switching level High signal 1 [V]	> 10				
Short-circuit proof	yes				
Ambient temperature [°C]	-25...80				
Protection	IP 67				
Tests / approvals	EN 50295				
AS-i classification	S-0.0				
AS-i profile	0				
I/O configuration [hex]	0				
ID code [Hex]	0				
AS-i certificate	06601				
Data bits	Data bit	D0	D1	D2	D3
	socket	I-1 / pin 2+4	I-2 / pin 2+4	I-3 / pin 2+4	I-4 / pin 2+4
Housing materials	PUR; Piercing contacts: CuSn6 surface nickel and tin-plated				
Weight [kg]	0.27				
Displays / operating elements	green				
Power	LED				

AC2422 - Active AS-i compact module - eclass: 27259090 / 27-25-90-90

Function display	LED	yellow
Electrical connection		
Connection		Cable; M12 connector / 2 m
Wiring		
		
Inputs		
1: Sensor supply L+		
2+4: Data input (internally bridged)		
3: Sensor supply L-		
Accessories		
Accessories (optional)		stainless steel sleeve for installation in case of high mechanical stress (E70402)
Remarks		
Pack quantity	[piece]	1

ifm efector, inc. • 1100 Atwater Drive • Malvern • PA 19355 — We reserve the right to make technical alterations without prior notice. — US — AC2422 — 01.12.2011
no longer available - archive entry