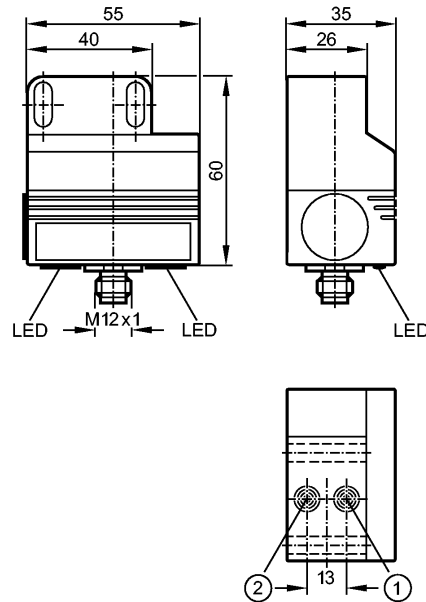


DUAL SENSOR T4 2SI M12

Valve sensors



1: sensor 1
2: sensor 2



Product characteristics

Dual sensor

Quick disconnect

2 induktive Positionssensoren integriert

Version 2.1 mit erweitertem Adressmodus

Sensing range 4 mm; [nf] non-flush mountable

Electrical data

Electrical design	AS-i
Operating voltage [V]	26.5...31.6 DC); cULus - Class 2 source required
Current consumption [mA]	< 40
Monitoring range	
Sensing range [mm]	4
Environment	
Ambient temperature [°C]	-20...70
Protection	IP 67
Tests / approvals	
EMC	EN 50295 EN 61000-6-2
MTTF [Years]	924
AS-i classification	
AS-i version	2.1
Extended addressing mode possible	yes
AS-i profile	S-0.A.F
I/O configuration [hex]	0
ID code [Hex]	A.F
AS-i certificate	74901
Mechanical data	
Mounting	non-flush mountable
Housing materials	PBT (Pocan); connector housing: stainless steel (303S22)
Weight [kg]	0.149
Displays / operating elements	

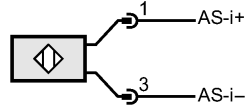
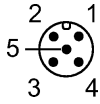
AC2315 - Dual sensor - eclass: 27270101 / 27-27-01-01

Output status indication	LED	2 x yellow
--------------------------	-----	------------

Electrical connection		
-----------------------	--	--

Connection		M12 connector
------------	--	---------------

Wiring



Accessories		
-------------	--	--

Accessories (included)		reinforcement bracket; 2 socket head screws M5 x 35; 2 washers
------------------------	--	--

Remarks		
---------	--	--

Pack quantity	[piece]	1
---------------	---------	---