

no longer available - archive entry Alternative article: AC2317

When selecting an alternative article and accessories please note that technical data may differ!

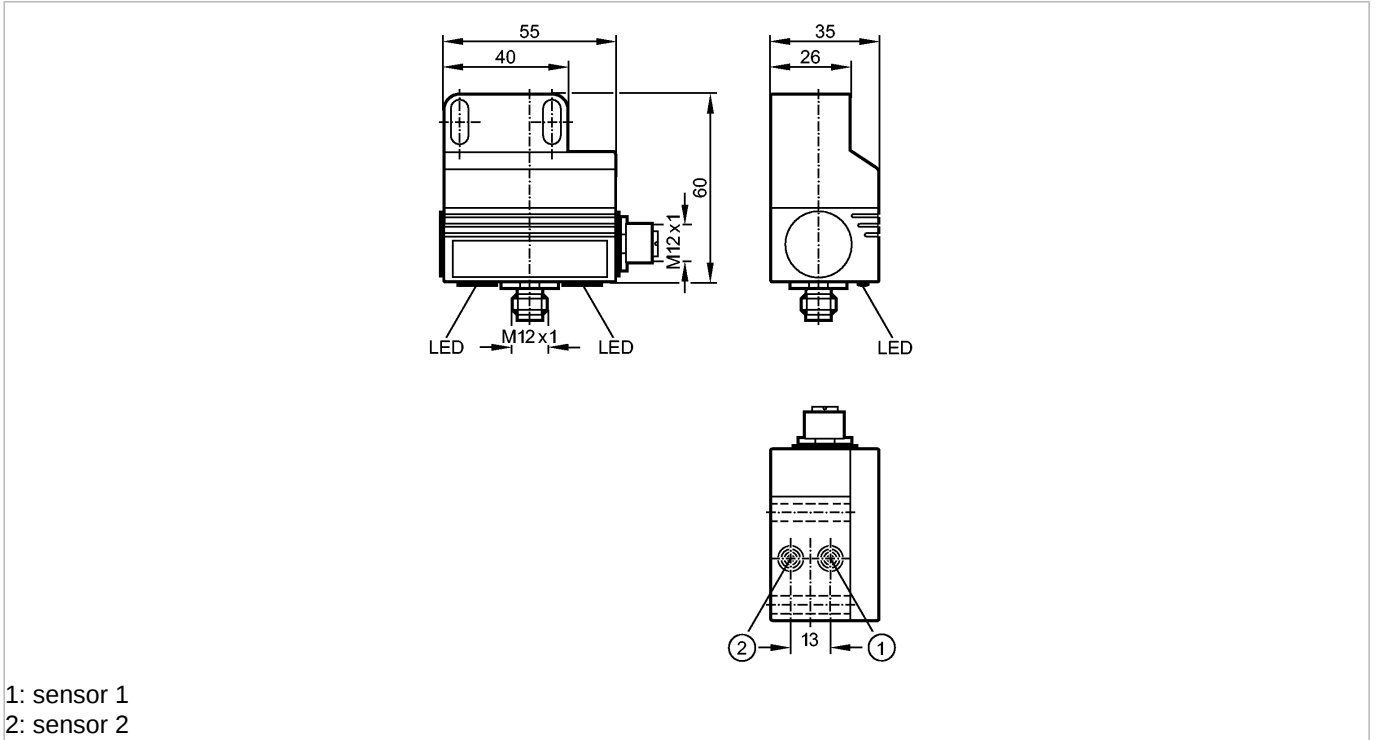
**efector180**

AC2307



DUAL SENSOR T6 2SI 2DO T M12

Valve sensors



Product characteristics

Dual sensor for actuator feedback

For connection to AS-i flat cable IP 67

2 inductive position sensors integrated

Sensing range: 4mm [nf]

Electrical data

Electrical design

2 inputs / 2 outputs

Operating voltage [V]

26.5...31.6 DC

Total current consumption from AS-i [mA]

< 160

Max. current load per module [mA]

100

Inputs

digital

Circuit

DC PNP

Sensor supply

AS-i

Voltage range [V]

20...30 DC

Short-circuit proof

no

Outputs

digital

Output function

transistor PNP

External voltage supply

AS-i

Max. current load per output [mA]

100

Electrically separated

no

Integrated watchdog

yes

Short-circuit proof

yes

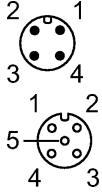
Measuring / setting range

Sensing range [mm]

4

Environment

**AC2307 - Dual sensor for actuator feedback - eclass: 27220590 / 27-22-05-90**

Ambient temperature	[°C]	-20...70
Protection		IP 67
Tests / approvals		
EMC		EN 50081-1 EN 61000-6-2
AS-i classification		
AS-i profile		S-7.F
I/O configuration [hex]		7
ID code [Hex]		F
AS-i certificate		15101
Mechanical data		
Housing materials		PBT (Pocan); PC; connector stainless steel
Mounting		non-flush mountable
Weight	[kg]	0.172
Displays / operating elements		
Power	LED	green
Function display	LED	red
Electrical connection		
Connection		M12 connector
<b>Wiring</b>		
		<p>Electrical connection</p> <p>1: AS-i+</p> <p>3: AS-i -</p> <p>Outputs</p> <p>2: Switching output 2 +</p> <p>3: External voltage -</p> <p>4: Switching output 1 +</p>
Remarks		
Pack quantity	[piece]	1

ifm efector, inc. • 1100 Atwater Drive • Malvern • PA 19355 — We reserve the right to make technical alterations without prior notice. — US — AC2307 — 19.06.2012

no longer available - archive entryAlternative article: AC2317

When selecting an alternative article and accessories please note that technical data may differ!