

no longer available - archive entry Alternative article: AC2310

When selecting an alternative article and accessories please note that technical data may differ!

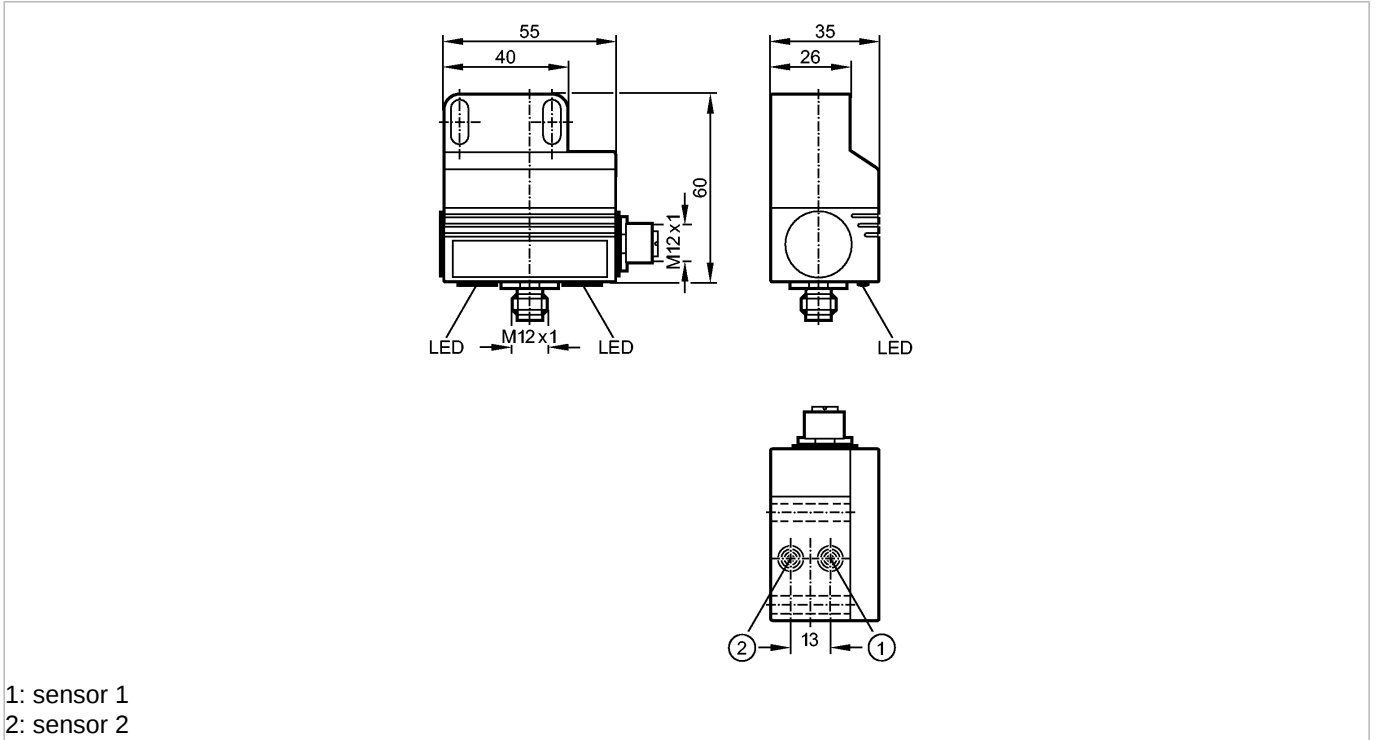
efector180

AC2306



DUAL SENSOR T5 2SI 1DO T M12

Valve sensors



Product characteristics

Dual sensor for actuator feedback

For connection to AS-i flat cable IP 67

2 inductive position sensors integrated

Sensing range: 4mm [nf]

Electrical data

Electrical design

2 inputs / 1 output

Operating voltage [V]

26.5...31.6 DC

Total current consumption from AS-i [mA]

< 160

Inputs

digital

Sensor supply

AS-i

Voltage range [V]

20...30 DC

Short-circuit proof

no

Outputs

digital

Output function

transistor PNP

External voltage supply

AS-i

Max. current load per output [mA]

100

Electrically separated

no

Integrated watchdog

yes

Short-circuit proof

yes

Measuring / setting range

Sensing range [mm]

4

Environment

Ambient temperature [°C]

-20...70

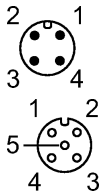
Protection

IP 67

AC2306 - Dual sensor for actuator feedback - eclass: 27220590 / 27-22-05-90

Tests / approvals EMC	EN 50081-1 EN 61000-6-2
AS-i classification	
AS-i profile	S-7.F
I/O configuration [hex]	7
ID code [Hex]	F
AS-i certificate	15101
Mechanical data	
Housing materials	PBT (Pocan); PC; connector stainless steel
Mounting	non-flush mountable
Weight [kg]	0.175
Displays / operating elements	
Power LED	yellow
Error LED	red
Electrical connection	
Connection	M12 connector

Wiring



Electrical connection

- 1: AS-i+
- 3: AS-i -

Outputs

- 3: external voltage -
- 4: switching output +
- 1, 2, 5: not connected

Remarks

Pack quantity [piece]	1
-----------------------	---

ifm efector, inc. • 1100 Atwater Drive • Malvern • PA 19355 — We reserve the right to make technical alterations without prior notice. — US — AC2306 — 19.11.2004

no longer available - archive entry Alternative article: AC2310

When selecting an alternative article and accessories please note that technical data may differ!