

no longer available - archive entry Alternative article: AC2315

When selecting an alternative article and accessories please note that technical data may differ!

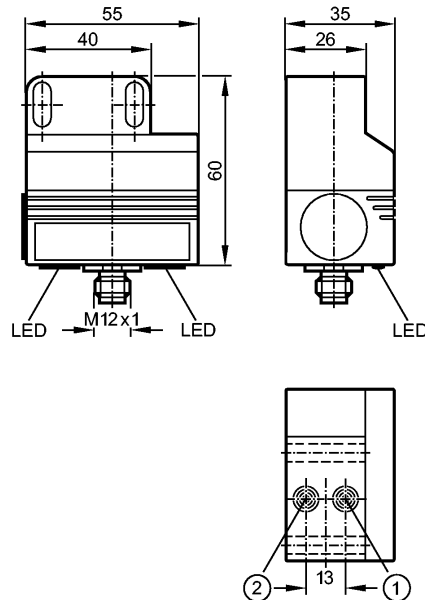
efector180

AC2305



DUAL SENSOR T4 2SI M12

Valve sensors



1: sensor 1
2: sensor 2



Product characteristics

Dual sensor

For connection to AS-i flat cable IP 67

2 inductive position sensors integrated

Sensing range: 4mm [nf]

Electrical data

Electrical design

1 x 2 inputs

Operating voltage [V]

26.5...31.6 DC

Total current consumption from AS-i [mA]

< 40

Inputs digital

Sensor supply

AS-i

Measuring / setting range

Sensing range [mm]

4

Environment

Ambient temperature [°C]

-20...70

Protection

IP 67

AS-i classification

AS-i profile

S-7.F

I/O configuration [hex]

7

ID code [Hex]

F

AS-i certificate

15102

Mechanical data

Housing materials

PBT (Pocan); connector housing: stainless steel (303S22)

Mounting

non-flush mountable

Weight [kg]

0.151

Displays / operating elements

Output status indication LED

2 x yellow

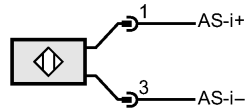
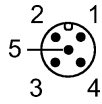
AC2305 - Dual sensor - eclass: 27220590 / 27-22-05-90

Electrical connection

Connection

M12 connector

Wiring



Remarks

Pack quantity

[piece]

1

ifm efector, inc. • 1100 Atwater Drive • Malvern • PA 19355 — We reserve the right to make technical alterations without prior notice. — US — AC2305 — 19.06.2012
no longer available - archive entryAlternative article: AC2315

When selecting an alternative article and accessories please note that technical data may differ!