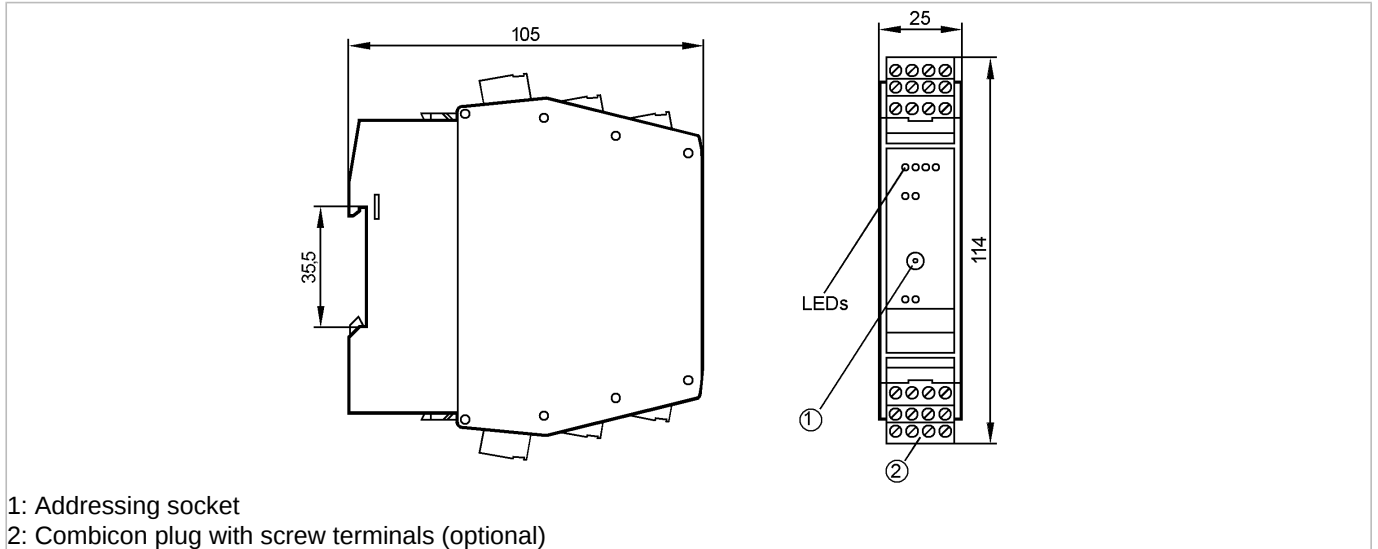




SmartL25 4DI 2DO R C

AS-Interface bus system



- 1: Addressing socket
2: Combicon plug with screw terminals (optional)



Product characteristics

Active AS-i module

Mounting on DIN rail

Combicon connection

String mounting possible

Addressing socket

Version 2.1 with extended addressing mode

Digital inputs

Electrical data

Electrical design

Operating voltage [V]

Total current consumption from AS-i [mA]

Max. current load per module [mA]

Inputs

digital

Circuit

Sensor supply

Voltage range [V]

Max. current load for all inputs total [mA]

Input current High/Low [mA]

Switching level High signal 1 [V]

Short-circuit proof

Outputs

digital

Output function

Voltage range [V]

External voltage supply

Max. current load per output [mA]

Electrically separated

Integrated watchdog

Short-circuit proof

Environment

Ambient temperature [°C]

4 inputs/ 2 outputs / relay

26.5...31.6 DC (AS-i)

< 250

6000 ***)

PNP

AS-i

16...30 DC

200

6...10 / 0...2

> 11

no

Relay

10...240 AC / 24 DC *)

yes

6000 ***)

ja **)

yes

no

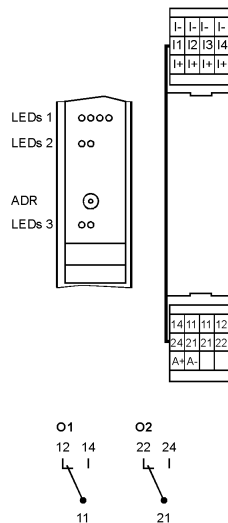
-25...70, cRUUs: surrounding air temperature -25...60 °C

AC2256 - Active AS-i module - eclass: 27259090 / 27-25-90-90

Protection	IP 20										
Tests / approvals											
EMC	EN 50295 EN 50178										
MTTF [Years]	339										
AS-i classification											
AS-i version	2.1										
Extended addressing mode possible	yes										
AS-i profile	S-7.A.E										
I/O configuration [hex]	7										
ID code [Hex]	A.E										
AS-i certificate	in preparation										
Data bits	<table border="1"> <thead> <tr> <th>Data bit</th> <th>D0</th> <th>D1</th> <th>D2</th> <th>D3</th> </tr> </thead> <tbody> <tr> <td>Function</td> <td>input I1 - output O1</td> <td>input I2 - output O2</td> <td>input I3</td> <td>input I4</td> </tr> </tbody> </table>	Data bit	D0	D1	D2	D3	Function	input I1 - output O1	input I2 - output O2	input I3	input I4
Data bit	D0	D1	D2	D3							
Function	input I1 - output O1	input I2 - output O2	input I3	input I4							
Mechanical data											
Housing materials	PA										
Weight [kg]	0.156										
Displays / operating elements											
Output status indication LED	yellow										
Power LED	green										
Error LED	red										
Electrical connection											
Connection	Combicon										

Wiring

- A+: AS-i +
- A-: AS-i -
- I+: Sensor supply +24V
- I-: Sensor supply 0V
- I1...I4: Switching input sensor 1...4



Accessories	
Accessories (optional)	Combicon connector
Remarks	
Remarks	<p>If a slave with the ID code "A" (extended addressing mode possible) is used with a master of the first generation (version 2.0), the parameter P3 must be 1 and the output bit D3 = 0. The output bit D3 must not be used.</p> <p>*) All outputs (relays) must be supplied with the same voltage (e.g. 2x 240 V AC, same phase conductor or 2x 24 V DC)</p> <p>**) Reinforced insulation to EN 50178, overvoltage category II, degree of soiling 2 to 240 V AC nominal voltage</p> <p>***) Resistive</p>
Pack quantity [piece]	1