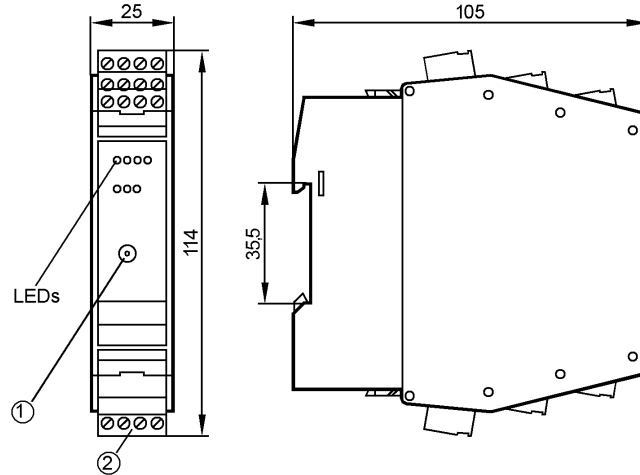




SmartL25 4DI C

AS-Interface bus system



- 1: Addressing socket
2: Combicon plug with screw terminals (optional)



Product characteristics

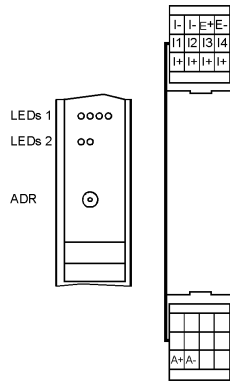
Active AS-i module	
Mounting on DIN rail	
Combicon connection	
String mounting possible	
Addressing socket	
Input supply from external PELV voltage source	
Version 2.1 with extended addressing mode	
Digital inputs	
Electrical data	
Electrical design	4 inputs
Operating voltage [V]	26.5...31.6 DC
Total current consumption from AS-i [mA]	< 50
Inputs	
digital	
Circuit	PNP
Sensor supply	via E+/E- / external to PELV
Voltage range [V]	20...30 DC
Max. current load for all inputs total [mA]	500
Input current High/Low [mA]	6...10 / 0...2
Switching level High signal 1 [V]	> 11
Short-circuit proof	yes
Environment	
Ambient temperature [°C]	-25...70, cRUus: surrounding air temperature -25...60 °C
Protection	IP 20
Tests / approvals	
EMC	EN 50295
MTTF [Years]	486
AS-i classification	
AS-i version	2.1
Extended addressing mode possible	yes
AS-i profile	S-0.A.E
I/O configuration [hex]	0

AC2254 - Active AS-i module - eclass: 27259090 / 27-25-90-90

ID code [Hex]	A.E				
AS-i certificate	39402				
Data bits	Data bit	D0	D1	D2	D3
	Function	Input I1	Input I2	Input I3	Input I4
Mechanical data					
Housing materials	PA				
Weight [kg]	0.139				
Displays / operating elements					
Output status indication LED	yellow				
Power LED	green				
Error LED	red				
Electrical connection					
Connection	Combicon				

Wiring

- A+: AS-i +
- A-: AS-i -
- I+: Sensor supply +24V
- I-: Sensor supply 0V
- E+: External sensor supply +24V
- E-: External sensor supply 0V
- I1...I4: Switching input Sensor 1...4



Accessories	
Accessories (optional)	Combicon connector
Remarks	
Remarks	If a slave with the ID code "A" (extended addressing mode possible) is used with a master of the first generation (version 2.0), the parameter P3 must be 1 and the output bit D3 = 0. The output bit D3 must not be used.
Pack quantity [piece]	1