

Discontinued article

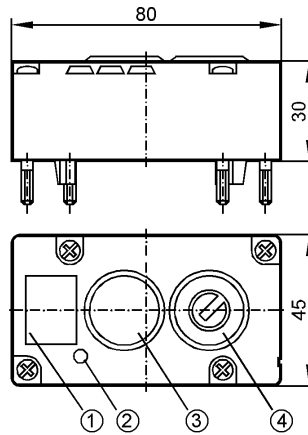
ecomat300

AC2087



EMS-Module 2BI 2LO RD/GN

AS-Interface bus system



- 1: label
- 2: LED
- 3: pushbutton/LED
- 4: key-operated switch



Product characteristics

Active module upper part AS-i illuminated pushbutton module with key-operated switch

AS-i interface to FC and SC lower parts

Power supply via AS-i cable

Version 2.1 with extended addressing mode

Electrical data

Electrical design

1 pushbutton / 1 key-operated switch / 1 LED display

Operating voltage [V]

26.5...31.6 DC

Total current consumption from AS-i [mA]

< 55

Inputs digital

Sensor supply

AS-i

Environment

Ambient temperature [°C]

-25...60

Storage temperature [°C]

-40...85

Protection

IP 40; IP 54 with protective cover

Tests / approvals

EMC

EN 50295

MTTF [Years]

1836

AS-i classification

AS-i version

2.1

Extended addressing mode possible

yes

AS-i profile

S-B.A.E

I/O configuration [hex]

B

ID code [Hex]

A.E

AS-i certificate

49202

Data bits

Data bit	D0	D1	D2	D3
Allocation	not used	LED 2 (green)	key-operated switch	pushbutton 2

Mechanical data

Housing materials

PBT (Pocan)

Weight [kg]

0.113

Displays / operating elements

Power LED

green

AC2087 - Active module upper part AS-i illuminated pushbutton module with key-operated switch - eclass: 27259090 / 27-25-90-90

Error	LED	red
Electrical connection		
Connection		contact pins on FC or SC lower module
Remarks		
Remarks		The pushbuttons (EAO type 84) provide protection against accidental contact. Housing and pushbuttons can be labelled.
Pack quantity	[piece]	1

ifm efector, inc. • 1100 Atwater Drive • Malvern • PA 19355 — We reserve the right to make technical alterations without prior notice. — US — AC2087 — 24.03.2017
Discontinued article