

no longer available - archive entry Alternative article: AC2041

When selecting an alternative article and accessories please note that technical data may differ!

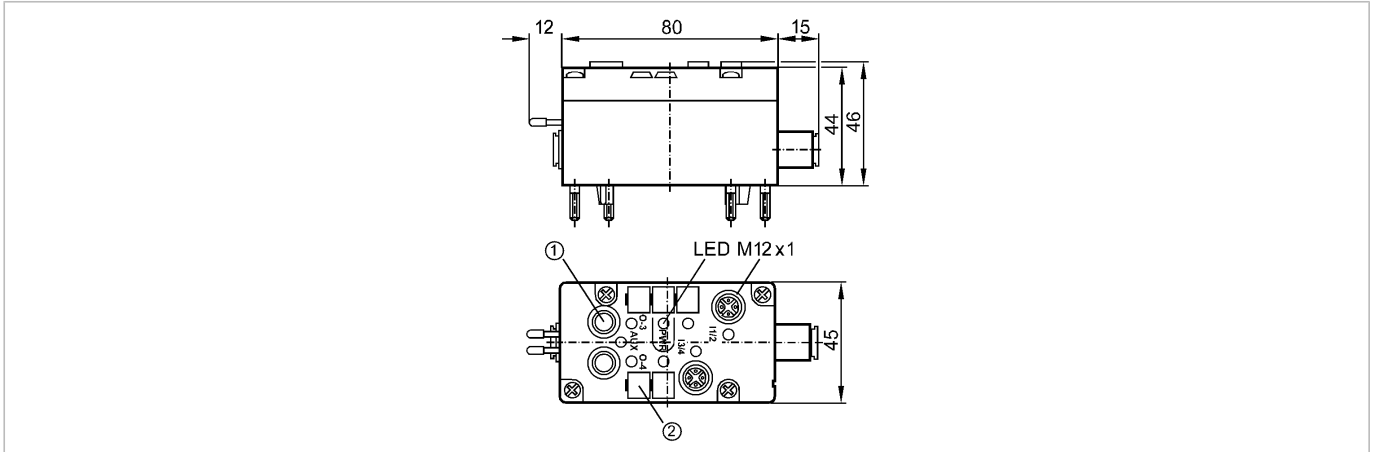
**ecomat300**

AC2056



AirBox 2x2DI 2PO M12 V2A

AS-Interface bus system



Product characteristics

AS-i AirBox

AS-i interface to FC-E lower parts

Sockets M12 x 1

Connection to the pneumatic system by tube fittings

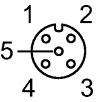
2 x 2 digital inputs

2 pneumatic outputs

Electrical data

Electrical design	2 x 2 inputs / 2 outputs
Operating voltage [V]	26.5...31.6 DC
Current consumption [mA]	< 170
Inputs	
digital	
Circuit	DC PNP
Sensor supply	AS-i
Voltage range [V]	20...30 DC
Max. current load for all inputs total [mA]	100
Input current High/Low [mA]	> 3 / < 1.5
Switching level High signal 1 [V]	> 10
Short-circuit proof	yes
Outputs	
digital	
Output function	common exhaust; external valve supply 24 V DC
Voltage range [V]	18...30 DC
Integrated watchdog	yes
Environment	
Ambient temperature [°C]	0...55, use below 0 °C possible with a special compressed air treatment
Protection	IP 67
Tests / approvals	
EMC	EN 50295
AS-i classification	
AS-i profile	S-7.F
I/O configuration [hex]	7
ID code [Hex]	F
AS-i certificate	20101

**AC2056 - AS-i AirBox - eclass: 27242613 / 27-24-26-13**

Data bits	Data bit	D0	D1	D2	D3
	socket	I-1/2 / pin 4	I-1/2 / pin 2	I-3/4 / pin 4 + O-3 / pin 4	I-3/4 / pin 2 + O-4 / pin 4
Mechanical data					
Pneumatic system	two 3/2-way valves				
Operating pressure range [bar]	2...8 **)				
Air flow at 6/5 bar [Nl/min]	350				
Air flow at 6/0 bar [Nl/min]	550				
Permissible compressed air	filtered (5 µm); lubricated (ISO-VG10) or not lubricated				
Housing materials	housing: PBT; Metal parts: stainless steel (303S22); sealing: Viton				
Weight [kg]	0.273				
Displays / operating elements					
Power LED	green				
Function display LED	yellow				
Electrical connection					
Connection	contact pins on FC-E or SC lower module				
<b>Wiring</b>					
	<b>Inputs</b> Pin 1: Sensor supply L+ Pin 2: Data input I2/I4 Pin 3: Sensor supply L- Pin 4: Data input I1/I3				
Accessories					
Accessories (optional)	Silencer (E75232)				
Remarks					
Remarks	**) incl. possible pressure peaks 1) Notes on compressed air and EMC/ESD at <a href="http://www.ifm.com">www.ifm.com</a>				
Pack quantity [piece]	1				
Other data					
Tube fitting [type/mm]	Legris LF 3000/8				

ifm efector, inc. • 1100 Atwater Drive • Malvern • PA 19355 — We reserve the right to make technical alterations without prior notice. — US — AC2056 — 19.06.2012  
 no longer available - archive entry Alternative article: AC2041

When selecting an alternative article and accessories please note that technical data may differ!