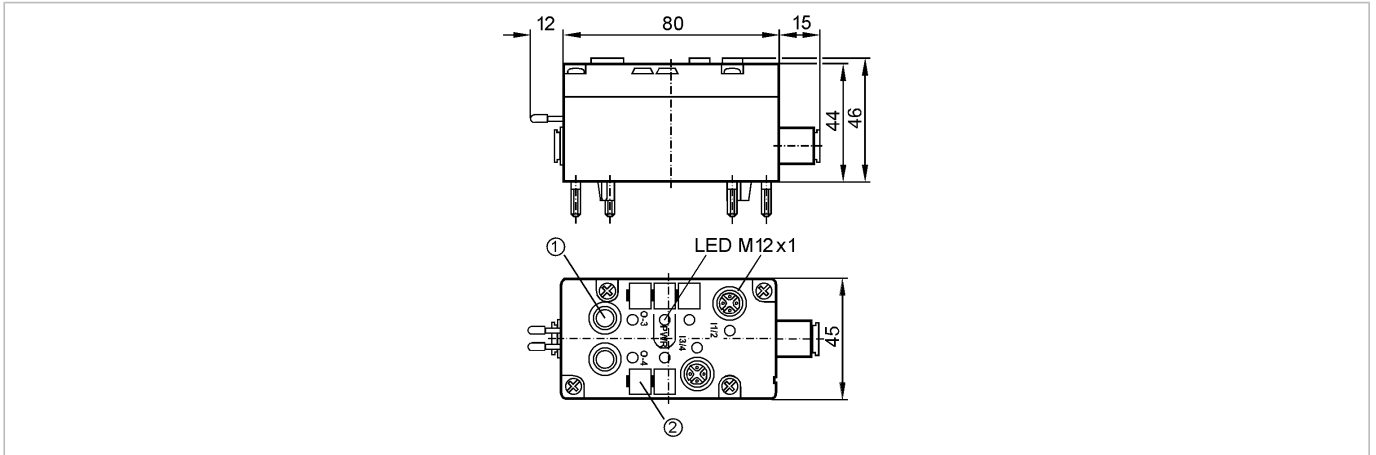




AirBox 2x2DI 2PO M12 V2A

AS-Interface bus system



Product characteristics

AS-i AirBox

AS-i interface to FC lower parts

Sockets M12 x 1

Connection to the pneumatic system by tube fittings

Manual override by pressing/releasing or pressing/turning/locking

2 x 2 digital inputs

2 pneumatic outputs

Electrical data

Electrical design

2 x 2 inputs / 2 outputs

Operating voltage [V]

26.5...31.6 DC

Total current consumption from AS-i [mA]

< 170

Inputs

digital

Circuit

DC PNP

Sensor supply

AS-i

Voltage range [V]

20...30 DC

Max. current load for all inputs total [mA]

100

Input current High/Low [mA]

> 3 / < 1.5

Switching level High signal 1 [V]

> 10

Short-circuit proof

yes

Outputs

digital

Output function

common exhaust with tube connection

Integrated watchdog

yes

Environment

Ambient temperature [°C]

0...55, use below 0 °C possible with a special compressed air treatment

Protection

IP 67

Tests / approvals

EMC

EN 50295

AS-i classification

AS-i profile

S-7.F

I/O configuration [hex]

7

ID code [Hex]

F

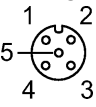
AS-i certificate

20101

Data bits

Data bit	D0	D1	D2	D3
----------	----	----	----	----

**AC2055 - AS-i AirBox - eclass: 27242613 / 27-24-26-13**

	socket	I-1/2 / pin 4	I-1/2 / pin 2	I-3/4 / pin 4	I-3/4 / pin 2
Mechanical data					
Pneumatic system	two 3/2-way valves				
Operating pressure range [bar]	2...8 *)				
Air flow at 6/5 bar [Nl/min]	350				
Air flow at 6/0 bar [Nl/min]	550				
Permissible compressed air	filtered (5 µm); lubricated (ISO-VG10) or not lubricated				
Tube fitting [type/mm]	Legris LF 3000/8				
Housing materials	housing: PBT; Metal parts: stainless steel (303S22); sealing: Viton				
Weight [kg]	0.264				
Displays / operating elements					
Power LED	green				
Function display LED	yellow				
Electrical connection					
Connection	contact pins on FC or SC lower module				
<b>Wiring</b>					
	<b>Inputs</b> Pin 1: Sensor supply L+ Pin 2: Data input I2/I4 Pin 3: Sensor supply L- Pin 4: Data input I1/I3				
Accessories					
Accessories (optional)	Silencer (E75232)				
Remarks	*) incl. possible pressure peaks Notes on compressed air and EMC/ESD at <a href="http://www.ifm.com">www.ifm.com</a>				
Pack quantity [piece]	1				