

no longer available - archive entry

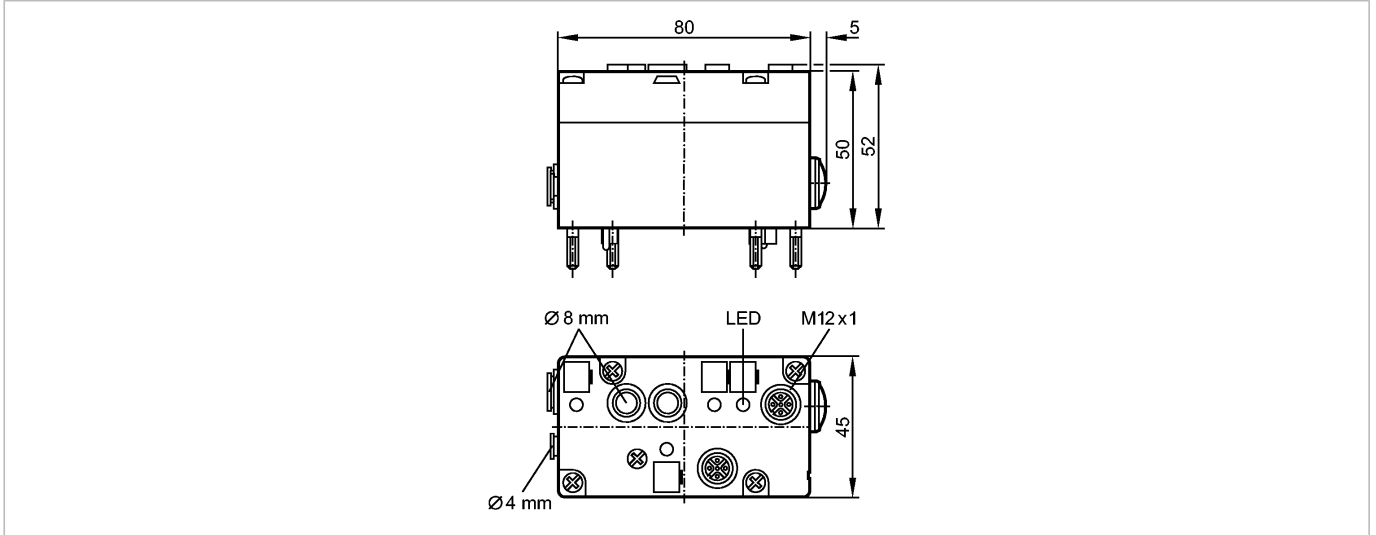
ecomat300

AC2052



AirBox 2DI 2DO 1PO M12

AS-Interface bus system



Product characteristics

AS-i AirBox 42 bistable

AS-i interface to FC-E lower parts

Sockets M12 x 1

Connection to the pneumatic system by tube fittings

Use possible for pressure below 3 bar or 90 % vacuum

1 x 2 or 2 x 1 digital inputs

1 pneumatic output (NO/NC selectable)

Electrical data

Electrical design

2 inputs / 2 outputs

Operating voltage [V]

26.5...31.6 DC

Current consumption [mA]

< 200

Inputs

digital

Circuit

PNP

Sensor supply

AS-i

Voltage range [V]

20...30 DC

Max. current load for all inputs total [mA]

100

Input current High/Low [mA]

> 3 / < 2

Switching level High signal 1 [V]

> 10

Short-circuit proof

yes

Outputs

digital

Output function

integrated exhaust; external valve supply 24 V DC

Voltage range [V]

18...30 DC

External voltage supply

according to PELV

Environment

Ambient temperature [°C]

0...55, use below 0 °C possible with a special compressed air treatment

Protection

IP 65

Tests / approvals

EMC

EN 50295

AS-i classification

AS-i profile

S-3.F

I/O configuration [hex]

3

AC2052 - AS-i AirBox 42 bistable - eclass: 27242613 / 27-24-26-13

ID code [Hex]	F										
AS-i certificate	in preparation										
Data bits	<table border="1"> <thead> <tr> <th>Data bit</th> <th>D0</th> <th>D1</th> <th>D2</th> <th>D3</th> </tr> </thead> <tbody> <tr> <td>socket</td> <td>I-1 / pin 4</td> <td>I-1 / pin 2; I-2 / pin 4</td> <td>O-3</td> <td>O-4</td> </tr> </tbody> </table>	Data bit	D0	D1	D2	D3	socket	I-1 / pin 4	I-1 / pin 2; I-2 / pin 4	O-3	O-4
Data bit	D0	D1	D2	D3							
socket	I-1 / pin 4	I-1 / pin 2; I-2 / pin 4	O-3	O-4							
Mechanical data											
Pneumatic system	one 4/2-way seat valve										
Operating pressure range [bar]	3...8 **)										
Air flow at 6/5 bar [Nl/min]	500										
Air flow at 6/0 bar [Nl/min]	700										
Permissible compressed air	filtered (5 µm); lubricated (ISO-VG10) or not lubricated										
Auxiliary air 90 % vacuum [bar]	3...8										
Housing materials	PBT										
Weight [kg]	0.253										
Displays / operating elements											
Power LED	green										
Function display LED	yellow										
Electrical connection											
Connection	contact pins on FC-E or SC lower module										
Wiring	<p>I-1</p> <p>1: Sensor supply L+ 2: Data input 2 3: Sensor supply L- 4: Data input 1</p> <p>I-2</p> <p>1: Sensor supply L+ 4: Data input 2 3: Sensor supply L-</p>										
Remarks											
Remarks	**) incl. possible pressure peaks 1) Notes on compressed air and EMC/ESD at www.ifm.com										
Pack quantity [piece]	1										
Other data											
Tube fitting [type/mm]	Legris LF 3000/8 / LF 3000/4										

