

no longer available - archive entry

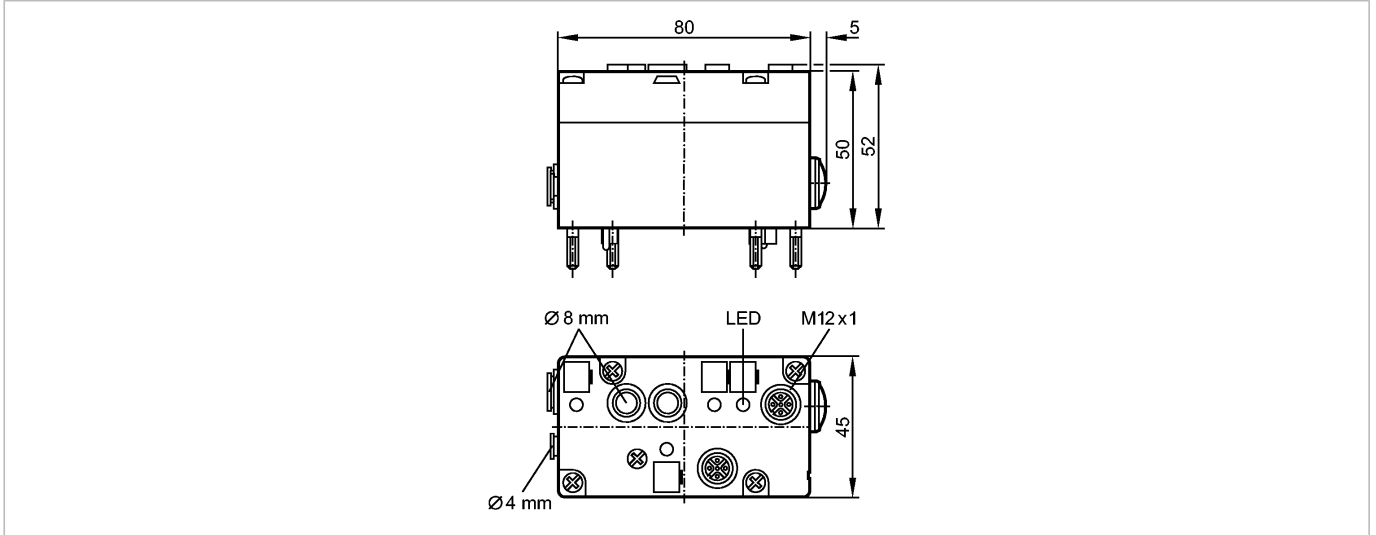
ecomat300

AC2050



AirBox 2DI 2DO 1PO M12

AS-Interface bus system



Product characteristics

AS-i AirBox 42 bistable

AS-i interface to FC lower parts

Sockets M12 x 1

Connection to the pneumatic system by tube fittings

Use possible for pressure below 3 bar or 90 % vacuum

1 x 2 or 2 x 1 digital inputs

1 pneumatic output (NO/NC selectable)

Electrical data

Electrical design

2 inputs / 2 outputs

Operating voltage [V]

26.5...31.6 DC

Current consumption [mA]

< 200

Inputs

digital

Circuit

PNP

Sensor supply

AS-i

Voltage range [V]

20...30 DC

Max. current load for all inputs total [mA]

100

Input current High/Low [mA]

> 3 / < 2

Switching level High signal 1 [V]

> 10

Short-circuit proof

yes

Outputs

digital

Output function

integrated exhaust

Environment

Ambient temperature [°C]

0...55, use below 0 °C possible with a special compressed air treatment

Protection

IP 65

Tests / approvals

EMC

EN 50295

AS-i classification

AS-i profile

S-3.F

I/O configuration [hex]

3

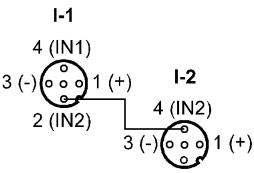
ID code [Hex]

F

AS-i certificate

in preparation

AC2050 - AS-i AirBox 42 bistable - eclass: 27242613 / 27-24-26-13

Data bits	Data bit socket	D0 I-1 / pin 4	D1 I-1 / pin 2; I-2 / pin 4	D2 O-3	D3 O-4
Mechanical data					
Pneumatic system	one 4/2-way seat valve				
Operating pressure range [bar]	3...8 **)				
Air flow at 6/5 bar [Nl/min]	500				
Air flow at 6/0 bar [Nl/min]	700				
Permissible compressed air	filtered (5 µm); lubricated (ISO-VG10) or not lubricated				
Auxiliary air 90 % vacuum [bar]	3...8				
Housing materials	PBT				
Weight [kg]	0.247				
Displays / operating elements					
Power LED	green				
Function display LED	yellow				
Electrical connection					
Connection	contact pins on FC or SC lower module				
Wiring					
	<p>I-1</p> <p>1: Sensor supply L+</p> <p>2: Data input 2</p> <p>3: Sensor supply L-</p> <p>4: Data input 1</p> <p>I-2</p> <p>1: Sensor supply L+</p> <p>4: Data input 2</p> <p>3: Sensor supply L-</p>				
Remarks	<p>**) incl. possible pressure peaks</p> <p>1) Notes on compressed air and EMC/ESD at www.ifm.com</p>				
Pack quantity [piece]	1				
Other data					
Tube fitting [type/mm]	Legris LF 3000/8 / LF 3000/4				