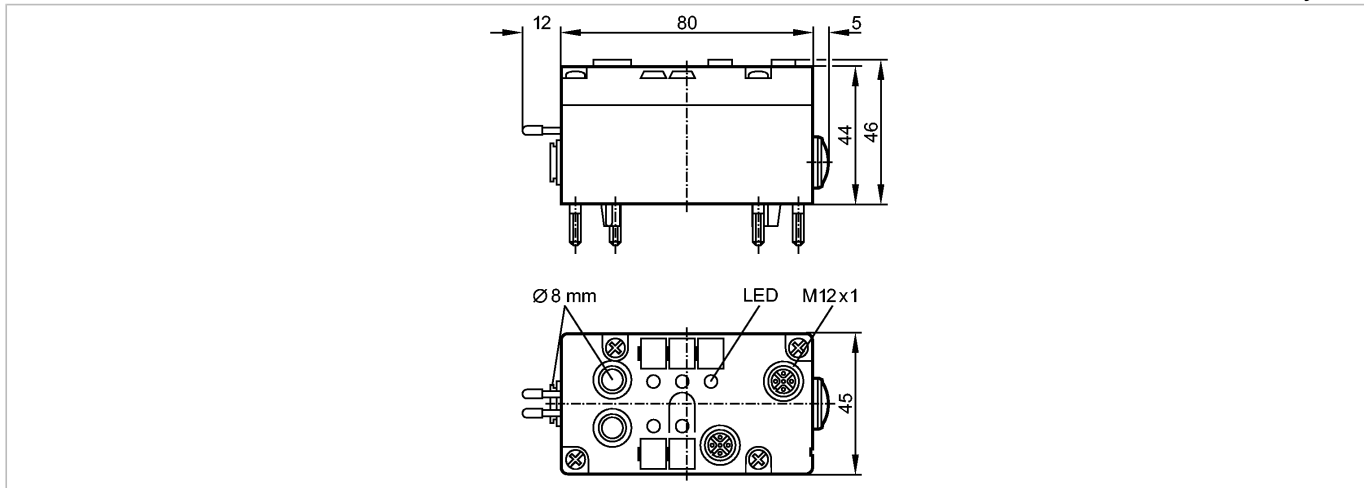




AirBox 2x2DI 2PO M12

AS-Interface bus system



Product characteristics

AS-i AirBox

AS-i interface to FC-E lower parts

Sockets M12 x 1

Connection to the pneumatic system by tube fittings

2 x 2 digital inputs

2 pneumatic outputs

Electrical data

Electrical design

2 x 2 inputs / 2 outputs

Operating voltage [V]

26.5...31.6 DC

Total current consumption from AS-i [mA]

< 170

Inputs

digital

Circuit

PNP

Sensor supply

AS-i

Voltage range [V]

20...30 DC

Max. current load for all inputs total [mA]

100

Input current High/Low [mA]

> 3 / < 1.5

Switching level High signal 1 [V]

> 10

Short-circuit proof

yes

Outputs

digital

Output function

integrated exhaust; external valve supply 24 V DC

Voltage range [V]

18...30 DC

External voltage supply

according to PELV

Integrated watchdog

yes

Environment

Ambient temperature [°C]

0...55, use below 0 °C possible with a special compressed air treatment

Protection

IP 65

Tests / approvals

EMC

EN 50295

AS-i classification

AS-i profile

S-7.F

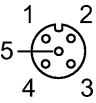
I/O configuration [hex]

7

ID code [Hex]

F

AC2041 - AS-i AirBox - eclass: 27242613 / 27-24-26-13

AS-i certificate	in preparation				
Data bits	Data bit	D0	D1	D2	D3
	socket	I-1/2 / pin 4	I-1/2 / pin 2	I-3/4 / pin 4 + O-3 / pin 4	I-3/4 / pin 2 + O-4 / pin 4
Mechanical data					
Pneumatic system	two 3/2-way valves				
Operating pressure range [bar]	2...8 *)				
Air flow at 6/5 bar [Nl/min]	350				
Air flow at 6/0 bar [Nl/min]	550				
Permissible compressed air	filtered (5 µm); lubricated (ISO-VG10) or not lubricated				
Tube fitting [type/mm]	Legris LF 3000/8				
Housing materials	PBT				
Weight [kg]	0.262				
Displays / operating elements					
Power LED	green				
Function display LED	yellow				
Electrical connection					
Connection	contact pins on FC-E or SC lower module				
Wiring					
	Inputs 1: Sensor supply L+ 2: Data input I2 / I4 3: Sensor supply L- 4: Data input I1 / I3 5: not used				
Remarks					
Remarks	*) incl. possible pressure peaks Notes on compressed air and EMC/ESD at www.ifm.com				
Pack quantity [piece]	1				