

no longer available - archive entry Alternative article: AC2035

When selecting an alternative article and accessories please note that technical data may differ!

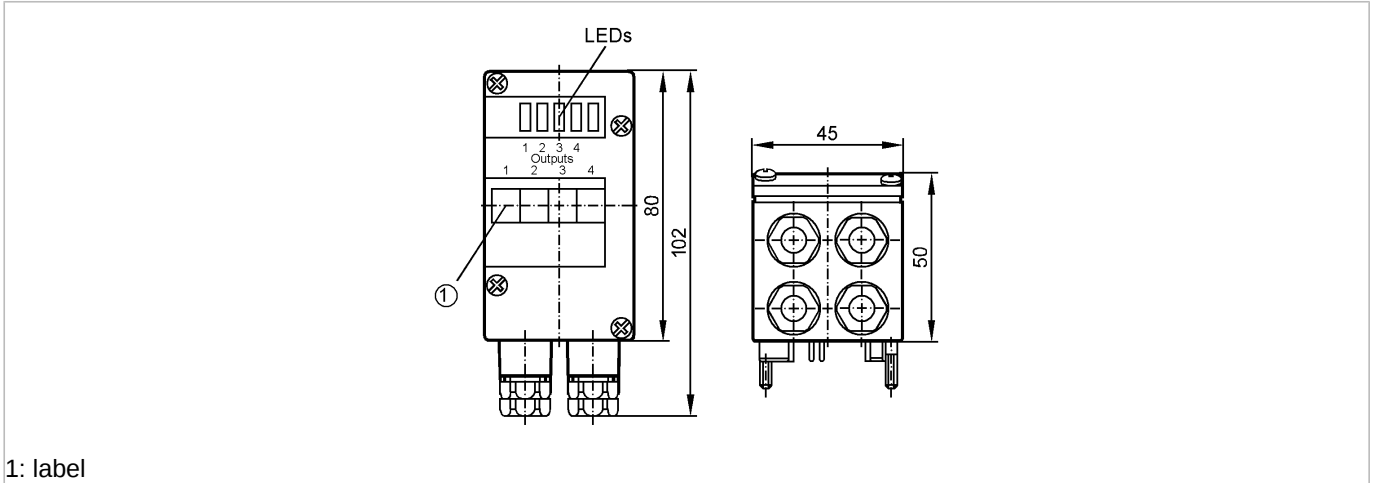
ecomat300

AC2034



EEMS/Module/4DO/T/CCT

AS-Interface bus system



1: label



Product characteristics

Active module upper part AS-universal module

AS-i interface to FC-E or SC lower parts

Connection via cage clamps

Digital outputs

Electrical data

Electrical design

Operating voltage [V]

Current consumption [mA]

Max. current load per module [mA]

Outputs

digital

Output function

Voltage range [V]

External voltage supply

Max. current load per output [mA]

Electrically separated

Integrated watchdog

Short-circuit proof

Environment

Ambient temperature [°C]

Protection

Tests / approvals

EMC

AS-i classification

AS-i profile

I/O configuration [hex]

ID code [Hex]

AS-i certificate

Data bits

Parameter bits

4 outputs				
26.5...31.6 DC				
< 60				
4000				
transistor PNP				
24 DC				
according to PELV				
1000				
yes				
yes				
yes				
-25...60				
IP 65				
EN 50295				
S-8.0				
8				
0				
in preparation				
Data bit	D0	D1	D2	D3
Allocation	O-1	O-2	O-3	O-4
Parameter bit	Function			
P0	watchdog activated*/deactivated for all outputs			
P1	not used			
P2	not used			
P3	not used			

AC2034 - Active module upper part AS-universal module - eclass: 27259090 / 27-25-90-90

Mechanical data

Housing materials		PA6 GF30; stainless steel (303S22)
Weight	[kg]	0.18
Displays / operating elements		
Power	LED	green
Function display	LED	yellow
Electrical connection		
Connection		contact pins on FC-E or SC lower module
Remarks		
Remarks		*) default
Pack quantity	[piece]	1

ifm efector, inc. • 1100 Atwater Drive • Malvern • PA 19355 — We reserve the right to make technical alterations without prior notice. — US — AC2034 — 11.11.2015
no longer available - archive entryAlternative article: AC2035

When selecting an alternative article and accessories please note that technical data may differ!