

no longer available - archive entry replaced by: AC1375

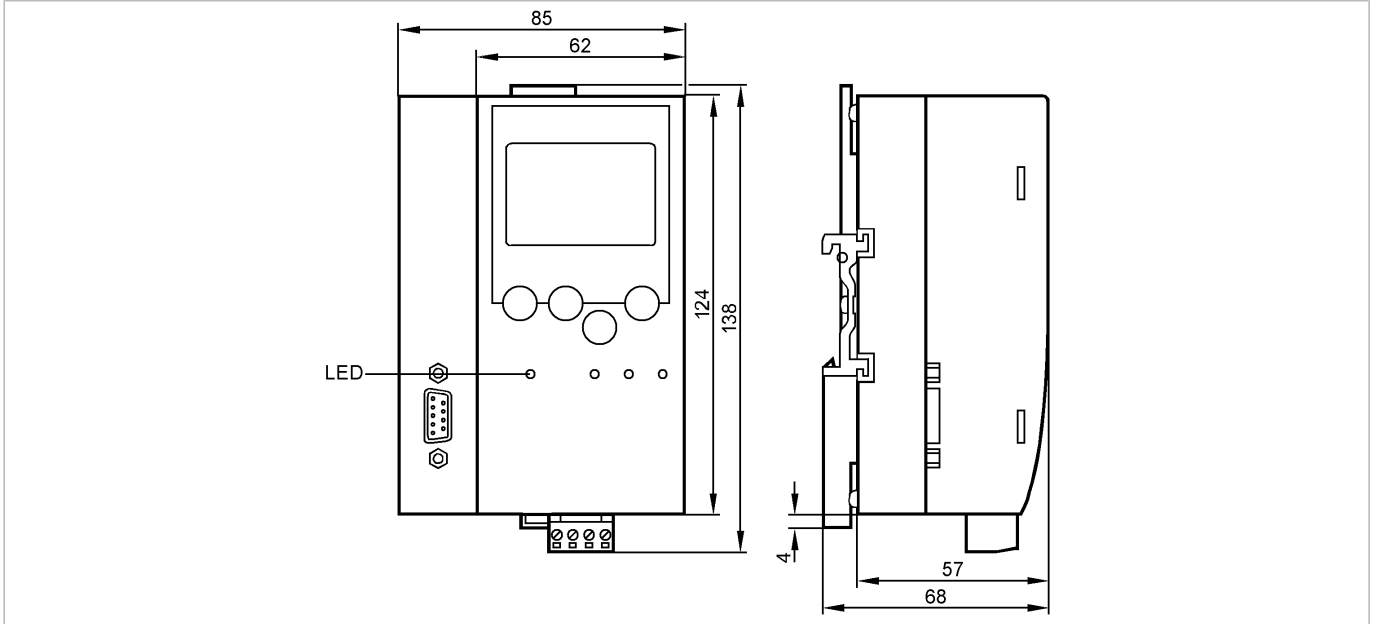
ecomat300

AC1335



AS-i DP Gateway 1 Master

AS-Interface bus system



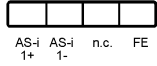
Product characteristics

SmartLink DP	
Housing for DIN rail mounting	
AS-i gateway / Profibus DP	
Full master functions	
Graphic display	
Application	
Application	Use as AS-i / Profibus DP gateway
Electrical data	
Number of AS-i masters	1
Electrical design	SmartLink DP with 1 AS-i master
Operating voltage [V]	26.5...31.6 DC (AS-i)
Total current consumption from AS-i [mA]	< 200
Power consumption [VA]	< 4
Insulation rating [V]	500
Electrical separation	yes
Interfaces	
Diagnosis via Profibus DP	yes
Data interface	Profibus-DP; max. 12M Baud; EN 50170
Environment	
Ambient temperature [°C]	0...60
Storage temperature [°C]	-20...70
Max. relative air humidity [%]	< 95
Protection	IP 20
AS-i classification	
AS-i version	2.1
AS-i profile	M3
AS-i certificate	63501
Mechanical data	
Housing materials	aluminum; steel sheet galvanised
Displays / operating elements	

AC1335 - SmartLink DP - eclass: 27259090 / 27-25-90-90

Display		full graphic LCD display
Function display	LED	2 x red; 1 x green; 1 x yellow
Electrical connection		

Wiring



Remarks		
Pack quantity	[piece]	1

ifm efector, inc. • 1100 Atwater Drive • Malvern • PA 19355 — We reserve the right to make technical alterations without prior notice. — US — AC1335 — 09.05.2008
no longer available - archive entryreplaced by: AC1375