

no longer available - archive entry Alternative article: AC1253

When selecting an alternative article and accessories please note that technical data may differ!

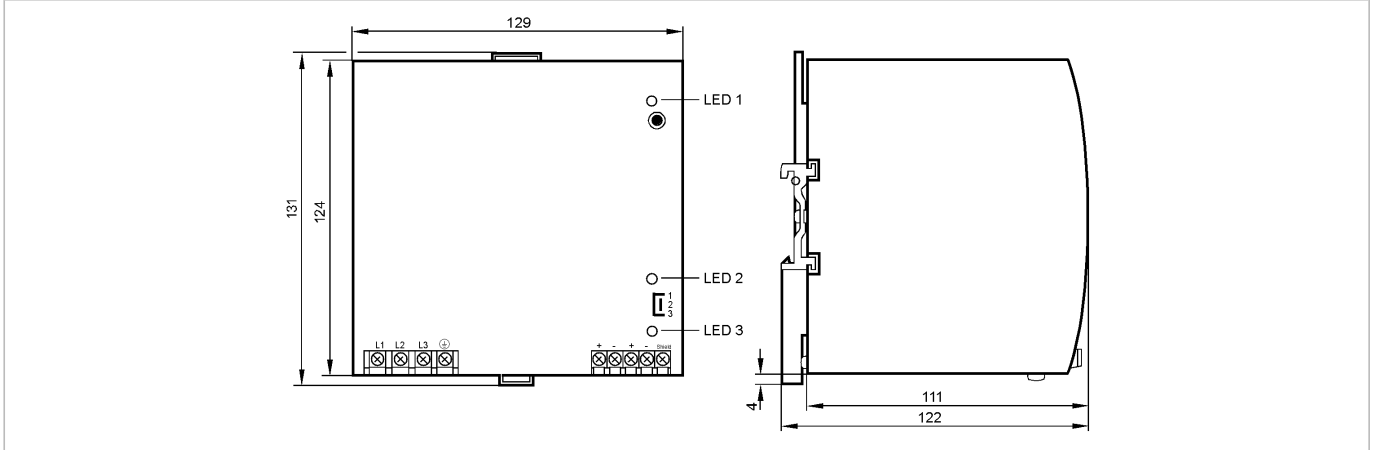
ecomat300

AC1223



PowerSupply 3AC 400-500V

AS-Interface bus system



Product characteristics

Power supply

Three-phase AS-i power supply

400...500 V AC

Integrated data decoupling

Jumper to deactivate the AS-i communication

240 watts

Application

Application

AS-i system voltage for masters, sensors, actuators and modules

Electrical data

Input voltage range [V]

340...576 AC

Nominal voltage [V]

3 x 400...500 AC

Nominal frequency [Hz]

47...63

Output voltage (AS-i) [V]

29.5...31.6 DC; according to PELV

Output current (AS-i) [A]

8

Residual ripple [mV]

< 50

Efficiency [%]

91.5

Short-circuit protection

electronic deactivation after 4...10 s / reset via pushbutton

Overload protection

yes

Fuse [A]

2.5; not accessible

Back-up fuse

10 A (or higher)

Power-on delay time [ms]

typ. 100

Derating [W/K]

6W / K (+60...+70°C)

Mains buffering time [ms]

22 (400V)

Outputs

Output

240 watts

Environment

Ambient temperature [°C]

-10...70

Protection

IP 20

Tests / approvals

EMC

EN 50081-2

EN 61000-6-2

EN 61000-3-2

CE: IEC 60950

(1999)

MTTF [Years]

139

AS-i classification

AS-i certificate

42201

AC1223 - Power supply - eclass: 27259090 / 27-25-90-90

Mechanical data		
Housing materials		aluminum; steel sheet galvanised
Weight	[kg]	1.276
Displays / operating elements		
Function display	LED	LED 1 red (flashes in case of short circuit, overload (excess temperature)) LED 2 red (IR-addressing) LED 3 green (goes off in case of overload U < 28 V)
Electrical connection		
Connection		terminals up to 4 mm ²

Wiring



Remarks		
Pack quantity	[piece]	1

ifm efector, inc. • 1100 Atwater Drive • Malvern • PA 19355 — We reserve the right to make technical alterations without prior notice. — US — AC1223 — 04.09.2013
no longer available - archive entryAlternative article: AC1253

When selecting an alternative article and accessories please note that technical data may differ!