

Alternative article: AC1258

When selecting an alternative article and accessories please note that technical data may differ!

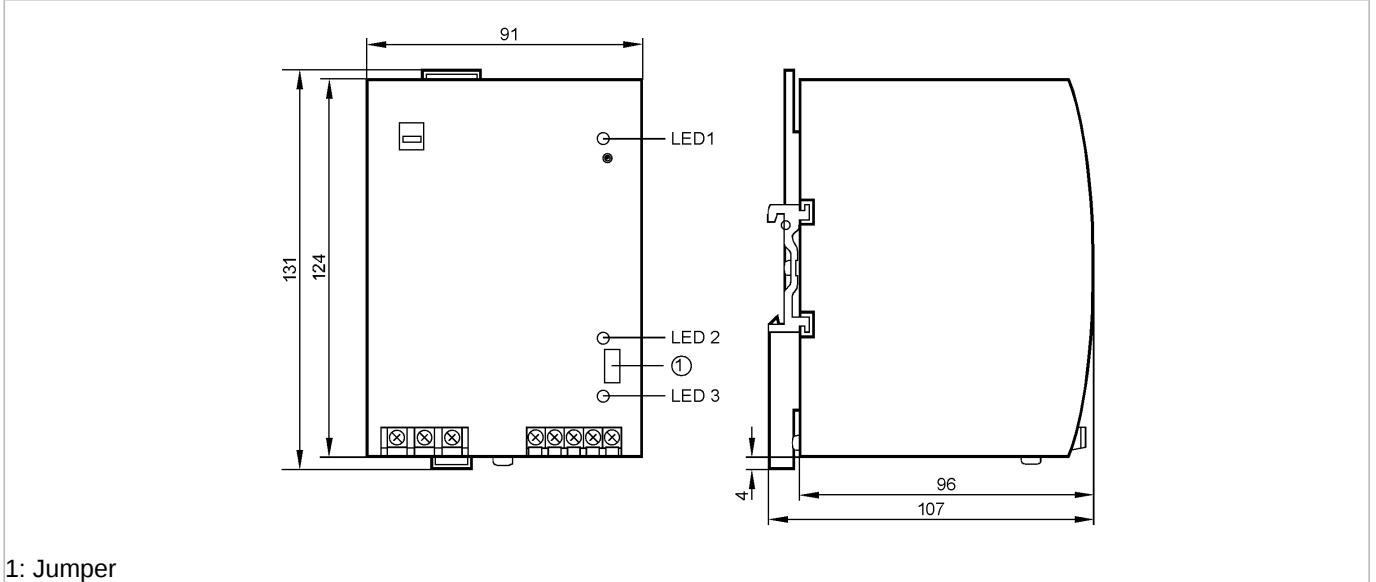
ecomat300

AC1218



PowerSupply SilverLine

AS-Interface bus system



Product characteristics

Power supply

AS-i power supply 115/230 V AC

Integrated data decoupling

Jumper to deactivate the AS-i communication

240 watts

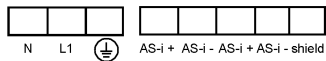
Application

Application	AS-i system voltage for masters, sensors, actuators and modules	
Electrical data		
Input voltage range [V]	85...132 AC / 184...264 AC	
Nominal voltage [V]	115 / 230 AC *)	
Nominal frequency [Hz]	47...63	
Output voltage (AS-i) [V]	29.5...31.6 DC; according to PELV	
Output current (AS-i) [A]	8	
Residual ripple [mV]	< 50	
Efficiency [%]	92	
Short-circuit protection	electronic deactivation after 2...5 s / reset via pushbutton	
Overload protection	yes	
Fuse [A]	8	
Back-up fuse	10 A (or higher)	
Power-on delay time [ms]	typ. 100	
Derating [W/K]	6 (60...70 °C)	
Mains buffering time [ms]	> 10	
Outputs		
Output	240 watts	
Environment		
Ambient temperature [°C]	-10...70	
Protection	IP 20	
Tests / approvals		
EMC	EN 50081-1 EN 61000-6-2 CE: IEC 60950 (1999)	

AC1218 - Power supply - eclass: 27259090 / 27-25-90-90

MTTF	[Years]	99
AS-i classification		
AS-i certificate		42101
Mechanical data		
Housing materials		aluminum; steel sheet galvanised
Weight	[kg]	1.009
Displays / operating elements		
Function display	LED	LED 1 red (flashes in case of short circuit, overload (excess temperature)) LED 2 red (IR-addressing) LED 3 green (goes off in case of overload U < 28 V)
Electrical connection		
Connection		terminals up to 4 mm ²

Wiring



Remarks

Remarks		*) selectable
Pack quantity	[piece]	1

ifm efector, inc. • 1100 Atwater Drive • Malvern • PA 19355 — We reserve the right to make technical alterations without prior notice. — US — AC1218 — 06.05.2014

Alternative article: AC1258

When selecting an alternative article and accessories please note that technical data may differ!