

no longer available - archive entry

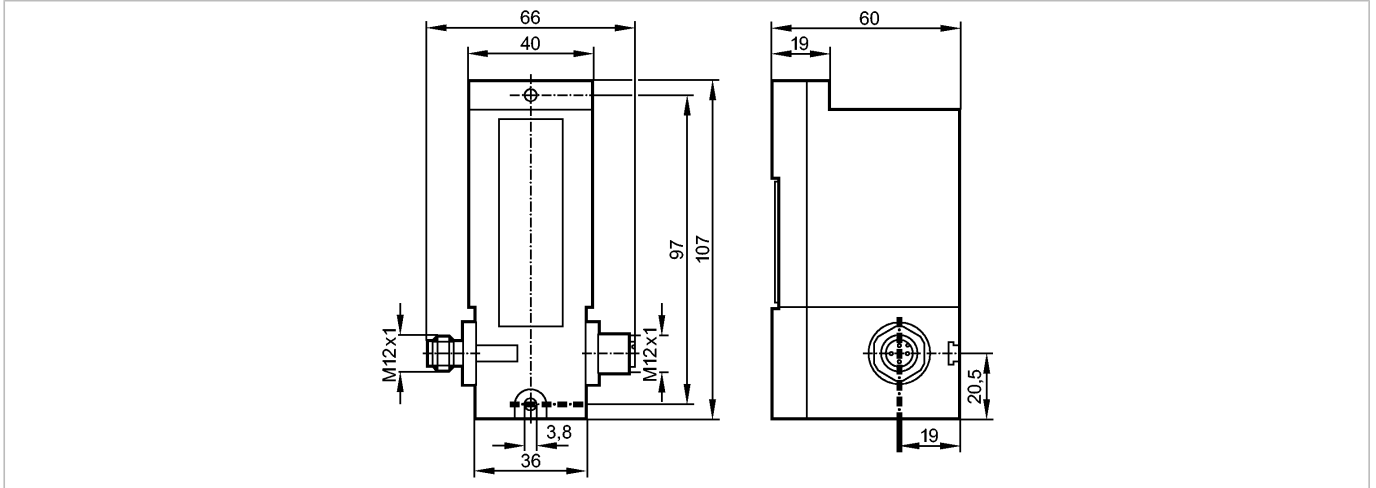
**ecomat300**

AC1151



MOVIMOT-Module 3DI 4DO T W

AS-Interface bus system



Product characteristics

MOVIMOT module for SEW drives

Digital inputs and outputs

Electrical data

Electrical design

3 inputs / 4 outputs

Operating voltage [V]

26.5...31.6 DC

Total current consumption from AS-i [mA]

< 420

AS-i interface reverse polarity protection

yes

Inputs

digital

Circuit

PNP

Sensor supply

AS-i

Voltage range [V]

18...30 DC

Max. current load for all inputs total [mA]

100

Input current High/Low [mA]

6...10 / 0...2

Switching level High signal 1 [V]

> 10

Short-circuit proof

yes

Outputs

digital

Output function

transistor PNP

Max. current load per output [mA]

10 (DO 0... DO 2) / 330 (DO 3) \*)

Electrically separated

no

Integrated watchdog

yes

Short-circuit proof

yes

Environment

Ambient temperature [°C]

-25...60

Protection

IP 65

Tests / approvals

EMC

EN 50295

MTTF [Years]

310

AS-i classification

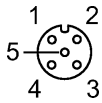
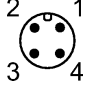
AS-i profile

S-7.F

I/O configuration [hex]

7

**AC1151 - MOVIMOT module for SEW drives - eclass: 27259090 / 27-25-90-90**

ID code [Hex]	F				
AS-i certificate	in preparation				
Data bits	<b>Data bit</b>	<b>D0</b>	<b>D1</b>	<b>D2</b>	<b>D3</b>
	function	Movimot ready/not ready	not used	sensor input 1	sensor input 2
Mechanical data					
Weight [kg]	0.42				
Displays / operating elements					
Output status indication LED	yellow				
Power LED	green				
Electrical connection					
<b>Wiring</b>					
	<b>Inputs</b> 1: sensor supply I+ 2: input sensor 2 3: sensor supply I- 4: input sensor 1				
	<b>Electrical connection</b> 1: AS-i+ 3: AS-i -				
Remarks					
Remarks	*) power supply for frequency inverter				
Pack quantity [piece]	1				