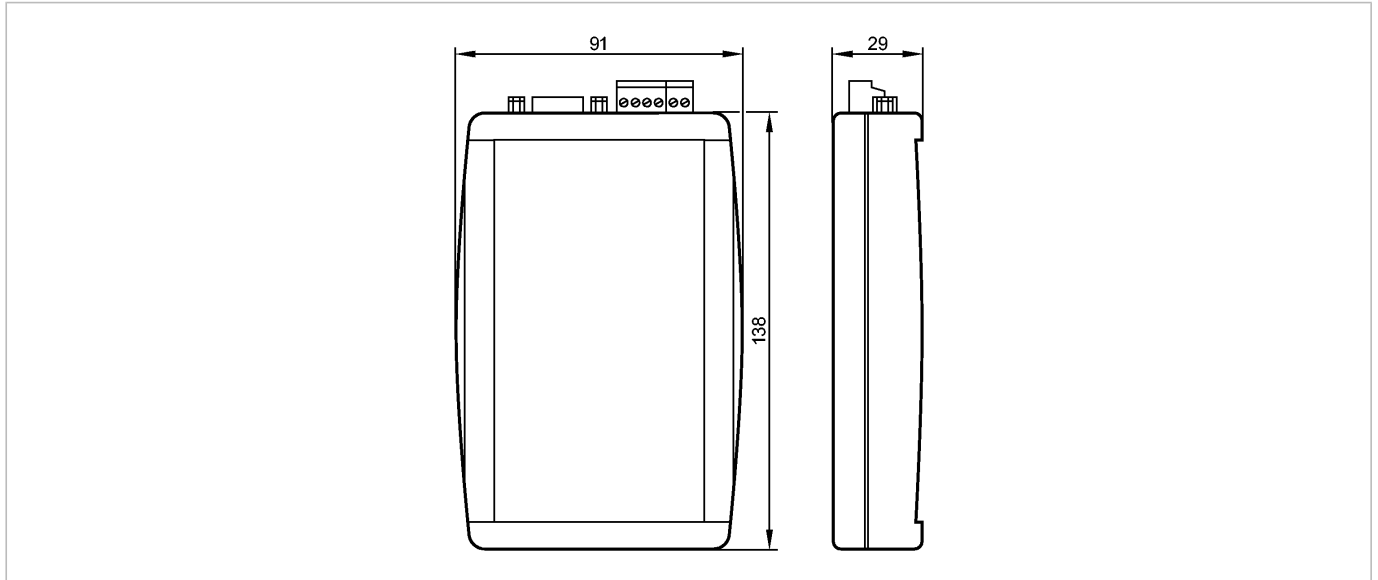




eAS-i Tester

AS-Interface bus system



Product characteristics

eASI-Tester

Local diagnosis of the AS-i network

Creation of test reports for AS-i networks

User-friendly diagnosis and evaluation via the connected PC

Application

Application

Diagnosis and analysis tool for AS-i

Function

Passive AS-i participant as interface for AS-i system analysis with a PC:

- Slave lists as system overview
- Slave data (inputs and outputs)
- Configuration data of the connected slaves
- Statistics on the communication errors
- Complete message evaluation in the expert mode

Electrical data

Rated insulation voltage

> 500

Rated operating current [mA]

70

Undervoltage monitor

yes

Software / programming

System requirements

PC with Pentium processor or higher Windows version
95/98/ME/NT4/2000/XP/Vista/7/8 (32 bits or 64 bits)

Interfaces

Interface

AS-i
RS-232 (PC connection)
Trigger input (24 V)
Trigger output (TTL)

Telegram memory

256000 AS-i telegrams

Environment

Ambient temperature [°C]

0...55

Storage temperature [°C]

-25...70

Tests / approvals

EMC

EN 50081-2
EN 61000-6-2

MTTF [Years]

280

AS-i classification

AS-i version

2.1

AC1145 - eASI-Tester - eclass: 27259802 / 27-25-98-02

Mechanical data

Weight	[kg]	0.241
Displays / operating elements		
Indications		LED green (power): Supply voltage ok LED green (ser active): RS-232 interface active LED green/red (test): Test mode
Accessories		
Accessories (included)		D-Sub data cable; software on CD
Remarks		
Pack quantity	[piece]	1