

no longer available - archive entry Alternative article: AC1154

When selecting an alternative article and accessories please note that technical data may differ!

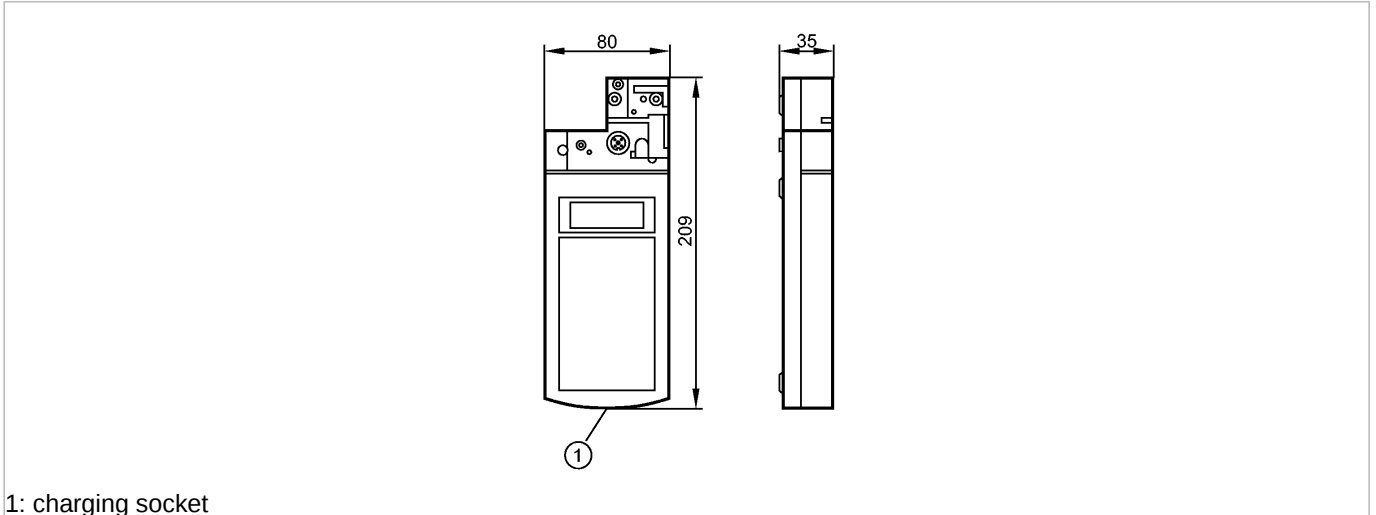
ecomat300

AC1144



Addressing unit AS-i 2.1

AS-Interface bus system



1: charging socket



Product characteristics

AS-i addressing unit

AS-i version 2.1 with extended addressing mode

Application

Application

Set-up and diagnosis

Mechanical data

Weight

[kg]

0.581

Accessories

Accessories (optional)

- addressing adapter for compact modules order no. E70123;
- addressing cable order no. E70213;
- IR addressing adapter order no. E70211

Remarks

Pack quantity

[piece]

1

Other data

Function

- Addressing or programming max. 62 slaves
 - Display of all the slaves on the bus
- Reading and writing slave data and slave parameters
- Selection and display of the different operating modes via the MODE key
 - Indication of the peripheral fault flag (version 2.1)
- Addressing of slaves with an optical data interface (version 2.1) by means of a special IR adapter

The following components can be directly connected by means of a cable:

- Active module upper parts
- Intelligent sensors and actuators
- Intelligent AS-i slaves
- built-in accumulator
- charging time approx. 12 hours
- operating time with accumulator full: 8 hours, this corresponds to approx. 250 writing/reading operations
- 230 V AC charging unit supplied or equivalent unit dependent on country voltage requirements
- protection rating IP 20

Supply

Reverse polarity protection

yes

Short circuit proof

yes

AC1144 - AS-i addressing unit - eclass: 27242698 / 27-24-26-98

no longer available - archive entryAlternative article: AC1154

When selecting an alternative article and accessories please note that technical data may differ!