

no longer available - archive entry

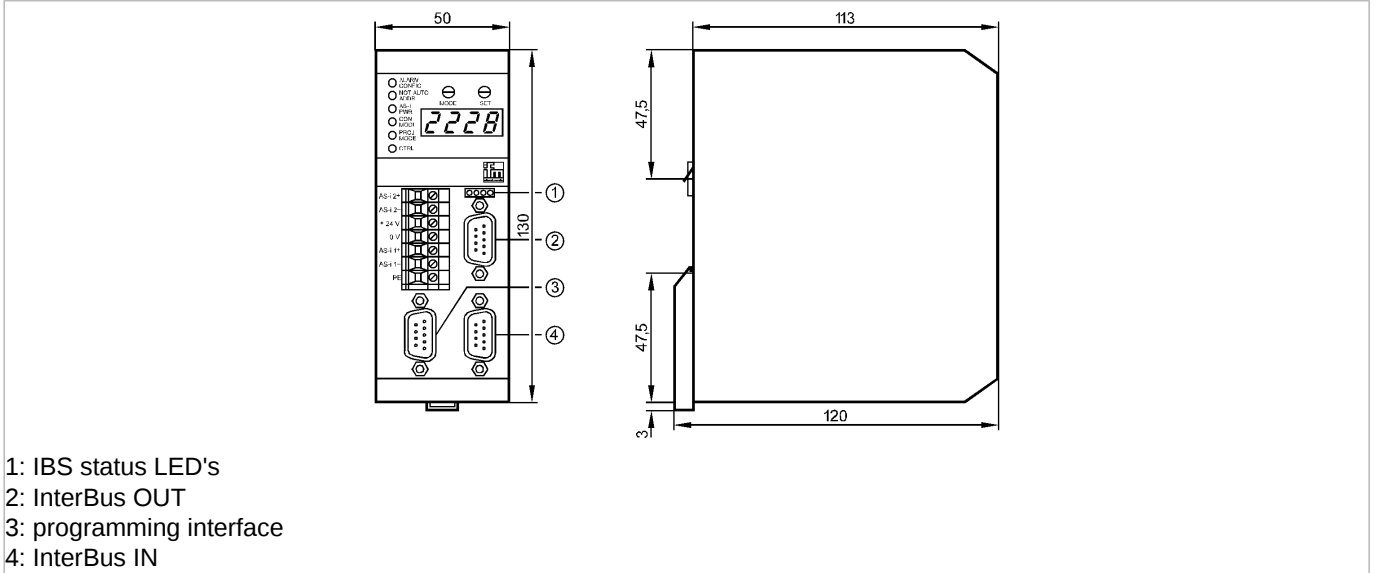
ecomat300

AC1020



Contr 2MSTR 1RS232C 1IBS

AS-Interface bus system



- 1: IBS status LED's
- 2: InterBus OUT
- 3: programming interface
- 4: InterBus IN



Product characteristics

AS-i controller	
Housing for DIN rail mounting	
Interbus-S interface	
Full master functions	
Programming via interface RS-232C	
Application	
Application	Use as minicontroller and gateway
Electrical data	
Electrical design	AS-i controller with 2 masters
Operating voltage [V]	22...30 DC (24 DC *))
Total current consumption from AS-i [mA]	< 80 **)
Power consumption [VA]	< 10
Insulation rating [V]	500
Electrical separation	yes
Outputs	
Integrated watchdog	yes
Interfaces	
Programming interface	RS-232 C; SUB-D9 plug; 4800...62400 Baud
Data interface	Interbus-S (remote bus)
Environment	
Ambient temperature [°C]	0...60
Storage temperature [°C]	-20...70
Max. relative air humidity [%]	< 95
Protection	IP 20
AS-i classification	
AS-i profile	M1
AS-i certificate	22506
Mechanical data	
Housing materials	aluminum
Weight [kg]	0.569
Displays / operating elements	
Display	function check 2 x LED red

AC1020 - AS-i controller - eclass: 27259090 / 27-25-90-90

	2 x LED green 2 x LED yellow
--	---------------------------------

Electrical connection

Connection

7 screw terminals

Wiring

7	AS-i 2+
6	AS-i 2-
5	+ 24 V
4	0 V
3	AS-i 1+
2	AS-i 1-
1	PE

Remarks

Remarks

*) to PELV
**) typical 60

Pack quantity

[piece]

1

ifm efector, inc. • 1100 Atwater Drive • Malvern • PA 19355 — We reserve the right to make technical alterations without prior notice. — US — AC1020 — 06.03.2003
no longer available - archive entry