

no longer available - archive entryAlternative article: AC2215

When selecting an alternative article and accessories please note that technical data may differ!

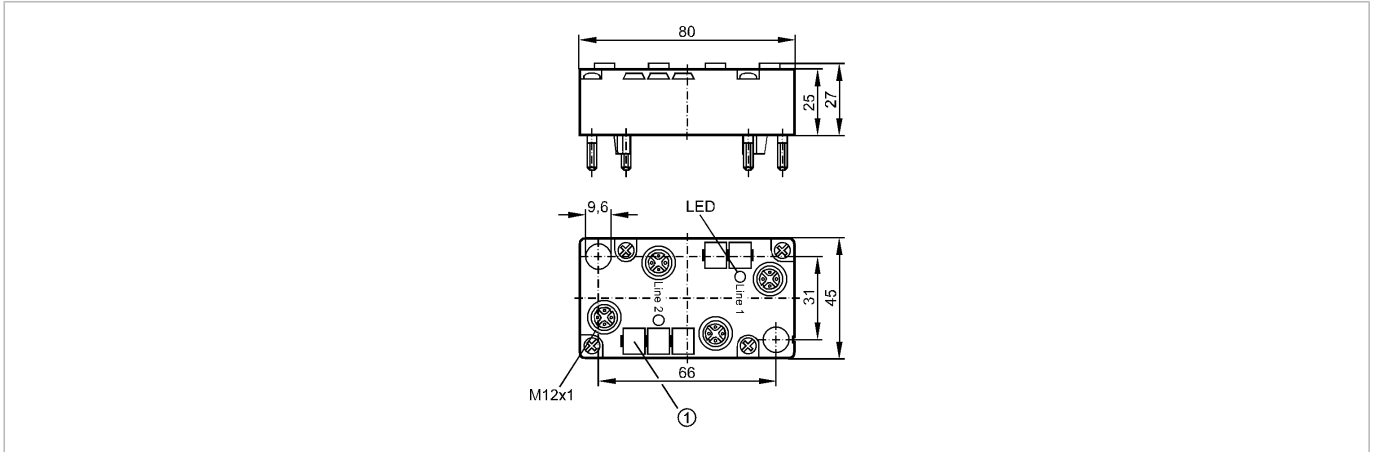
ecomat300

AC1015



Repeater 6GK1 210-0SA00 IP67

AS-Interface bus system



Product characteristics

AS-i repeater

FC-E lower part AC5003 included

Extension of the AS-i network by another 100 m

2 AS-i power supplies necessary

Electrical data

Electrical design

AS-i repeater

Operating voltage [V]

18.5...31.6

Current consumption [mA]

2 x 100

Outputs

Electrically separated

yes

Environment

Ambient temperature [°C]

0...60

Protection

IP 67

Mechanical data

Weight [kg]

0.157

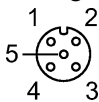
Displays / operating elements

Display

Power 2 x LED green

Electrical connection

Wiring



Remarks

Remarks

The AS-i repeater takes no slave address. The total number of slaves (31) per master string remains unchanged. No parameter setting necessary.

Pack quantity [piece]

1

ifm efector, inc. • 1100 Atwater Drive • Malvern • PA 19355 — We reserve the right to make technical alterations without prior notice. — US — AC1015 — 06.03.2003

no longer available - archive entryAlternative article: AC2215

When selecting an alternative article and accessories please note that technical data may differ!