

no longer available - archive entry

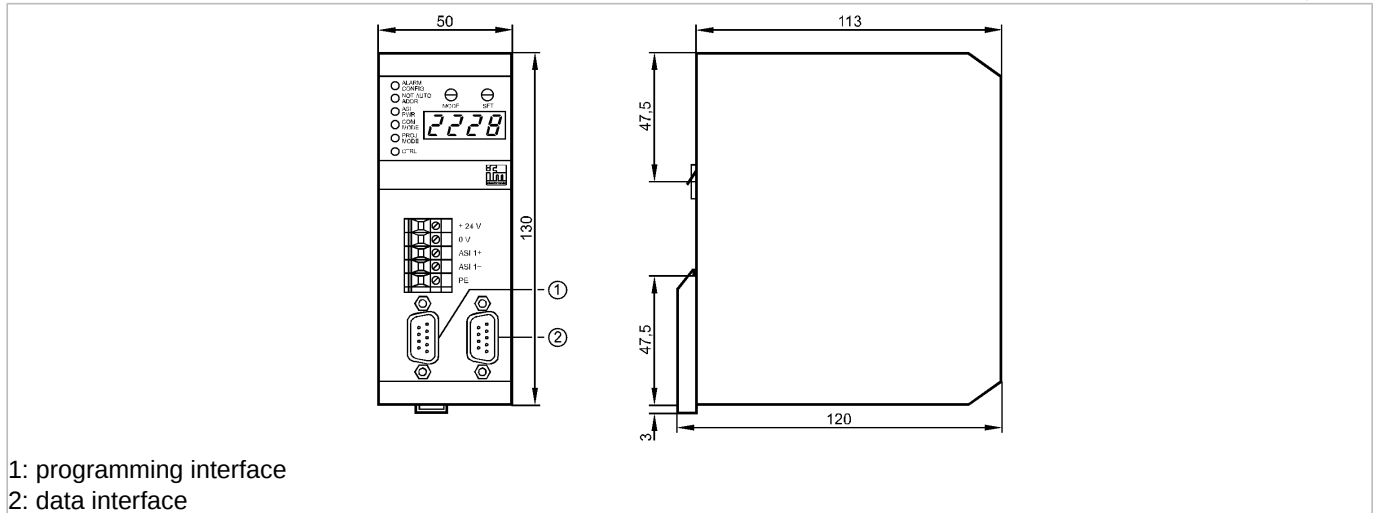
ecomat300

AC1011



Contr 1MSTR 1RS232C 1RS485

AS-Interface bus system



1: programming interface
2: data interface



Product characteristics

AS-i controller

Housing for DIN rail mounting

Programming via interface RS-232C

Full master functions

Freely programmable RS485 data interface

Application

Application

Mini-controller for signal preprocessing

Electrical data

Electrical design

AS-i controller with 1 master

Operating voltage [V]

22...30 DC (24 DC *))

Total current consumption from

AS-i [mA]

< 80 **)

Insulation rating [V]

500

Electrical separation

yes

Outputs

Integrated watchdog

yes

Interfaces

Programming interface

RS-232 C; SUB-D9 plug; 4800...62400 Baud

Data interface

RS 485; SUB-D9 plug; 4800...62400 Baud, 128 KBaud

Environment

Ambient temperature [°C]

0...60

Storage temperature [°C]

-20...70

Protection

IP 20

Tests / approvals

Shock / vibration resistance

< 15 g (11ms) / < 55 Hz (0.5mm)

AS-i classification

AS-i profile

M1

AS-i certificate

22505

Mechanical data

Housing materials

aluminum

Weight [kg]

0.544

Displays / operating elements

Display

function check 2 x LED red
2 x LED green
2 x LED yellow

AC1011 - AS-i controller - eclass: 27259090 / 27-25-90-90

Electrical connection

Connection

5 screw terminals

Wiring

5	+ 24 V
4	0 V
3	AS-i 1+
2	AS-i 1-
1	PE

Remarks

Remarks

*) to PELV
**) typical 60

Pack quantity

[piece]

1

ifm efector, inc. • 1100 Atwater Drive • Malvern • PA 19355 — We reserve the right to make technical alterations without prior notice. — US — AC1011 — 06.03.2003
no longer available - archive entry