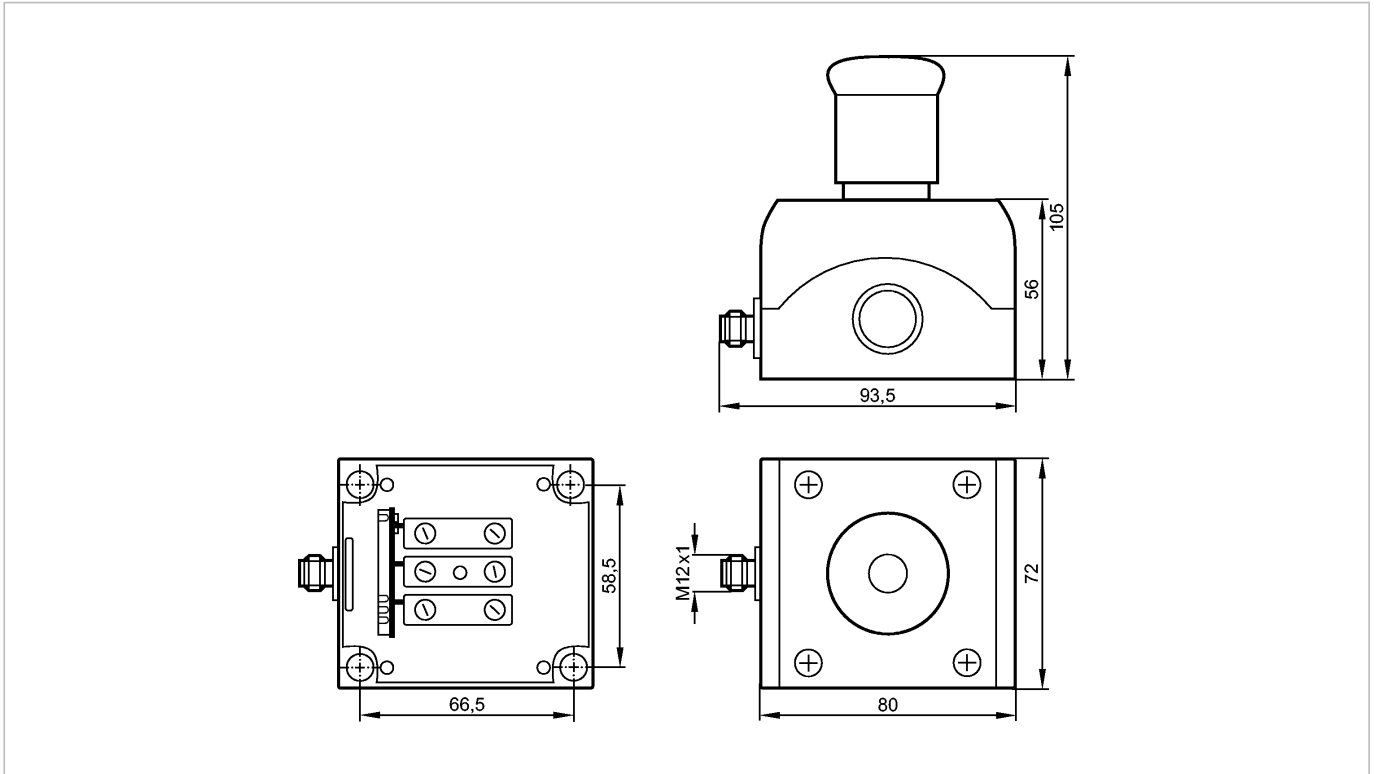




E-stop illuminated IP67

AS-Interface bus system



Product characteristics

Illuminated E-STOP with integrated AS-i connection

fool-proof E-STOP to EN ISO 13850

Pull to reset

AS-i interface via AS-i flat cable IP 67

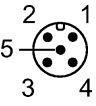
Complies with the requirements:

EN ISO 13849-1: Category 4 PL e

IEC 61508: SIL 3

Electrical data

Electrical design	2 safe inputs / 1 unsafe LED output	
Operating voltage [V]	26.5...31.6 DC	
Total current consumption from AS-i [mA]	< 50	
Inputs		
digital		
Circuit	DC PNP	
Sensor supply	AS-i	
Voltage range [V]	> 20 V DC	
Input current High/Low [mA]	4	
Short-circuit proof	yes	
Outputs		
LED output	1	
Actuator supply	AS-i	
Max. current load per output [mA]	10	
Integrated watchdog	yes	
Short-circuit proof	no	
Environment		
Ambient temperature [°C]	-25...60	
Protection	IP 67	

Safety classification		
Mission time TM	[h]	87600
PFD		7.9 x 10E-6
PFH		1.8 x 10E-10 / h
MTTFd	[Years]	1445003
DC/CCF/Cat.		99 % / 65 % / 4
AS-i classification		
AS-i version		2.1
Extended addressing mode possible		no
AS-i profile		S-7.B.E
I/O configuration [hex]		7
ID code [Hex]		B.E
Max. number of safety modules per master		31
AS-i certificate		74601
Mechanical data		
Housing materials		PC GF20
Weight	[kg]	0.336
Displays / operating elements		
Function display	LED	red
Electrical connection		
Connection		M12 connector
Wiring		
		1: AS-i + 2: not used 3: AS-i - 4: not used 5: not used
Remarks		
Pack quantity	[piece]	1