

**MODEL NUMBER**

81-20528-DCH

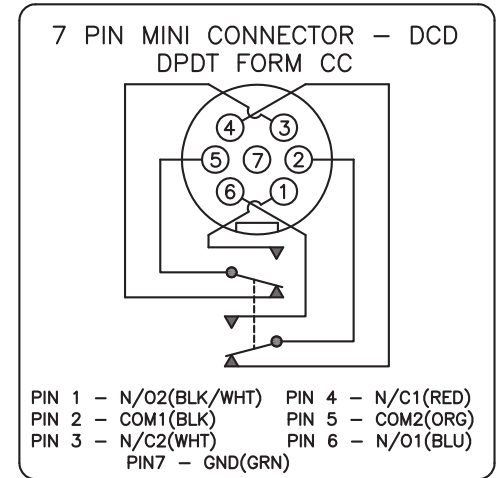
**PRODUCT LINE**

GO™ Switch Model 81

**SPECIFICATIONS**

Model	81 Model
Contact Form	DPDT (Form CC)
Sensing Range	Approx. 1/4" end sensing
Outlet Position	Bottom of enclosure
Enclosure Material	Stainless steel
Area Classification	UL listed General Purpose
Wiring Options	7 pin mini QDC
Regional Certification	no regional certification
Custom field	

**WIRING DIAGRAM**



**NAMEPLATE**



TYPE 4X  
ELECTRICAL RATING: 120VAC/10A, 24VDC/3A RESISTIVE; 600VAC MAX

Model #: Serial #:



www.electrosupply.com  
sales@electrosupply.com  
1-800-663-6576