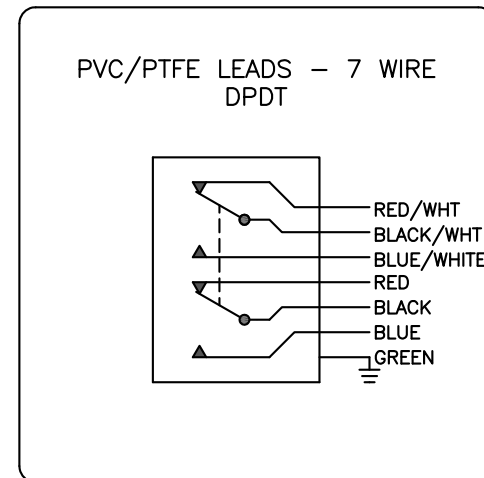




81-20128-A4

GO™ Switch Model 81

Model	81 Model
Contact Form	DPDT (Form CC)
Sensing Range	Approx. 1/4" end sensing
Outlet Position	Side outlet
Enclosure Material	Stainless steel
Area Classification	UL listed General Purpose
Wiring Options	12ft PVC lead wires
Regional Certification	no regional certification
Custom field	



TYPE 4X  
ELECTRICAL RATING: 120VAC/10A, 24VDC/3A RESISTIVE; 600VAC MAX

Model #:

Serial #:

**GO**  
SWITCH

**Electrol**

www.electrosupply.com  
sales@electrosupply.com  
1-800-663-6576