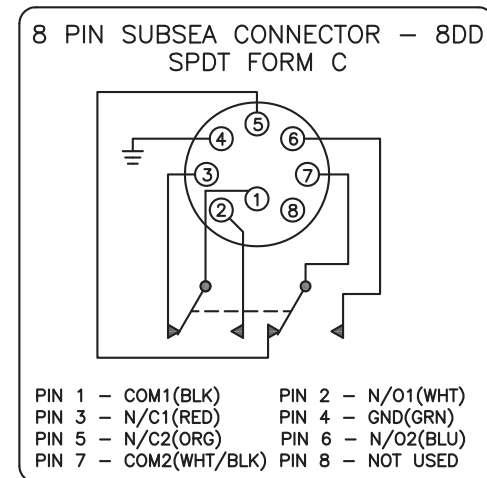


81-20127-8DD

GO™ Switch Model 81

Model	81 Model
Contact Form	DPDT (Form CC)
Sensing Range	Approx. 1/4" end sensing
Outlet Position	Side outlet
Enclosure Material	Stainless steel
Area Classification	cUL certified, General Purpose
Wiring Options	8 pin SubSea QDC
Regional Certification	no regional certification
Custom field	



TYPE 4X
ELECTRICAL RATING: 120VAC/10A, 24VDC/3A RESISTIVE; 600VAC MAX

Model #:

Serial #:



www.electrosupply.com
sales@electrosupply.com
1-800-663-6576