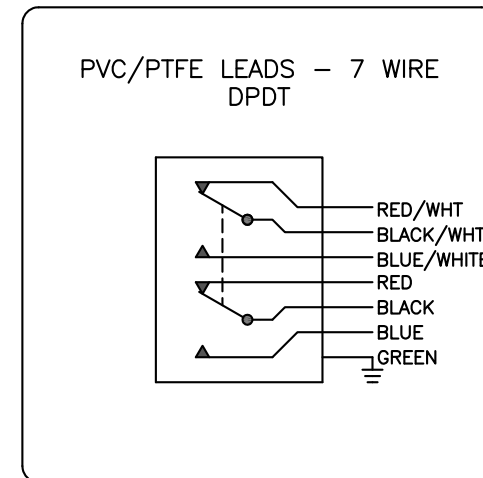


81-20116-A2

GO™ Switch Model 81

Model	81 Model
Contact Form	DPDT (Form CC)
Sensing Range	Approx. 1/4" end sensing
Outlet Position	Side outlet
Enclosure Material	Brass w/flat black lacquer
Area Classification	CSA/FM CI 1, Div 2
Wiring Options	3ft PVC lead wires
Regional Certification	no regional certification
Custom field	



COUNTRY OF ORIGIN US



CL I DIV 2, GRPS A,B,C,D; CL II DIV 2, GRPS F,G; CI III;
ELECTRICAL RATING: 120VAC/10A, 280VDC/2A RESISTIVE; 600VAC MAX
LEAD SEAL IS REQUIRED WITHIN 18" OF ENCLOSURE.

Model #:

Serial #:



www.electrosupply.com
sales@electrosupply.com
1-800-663-6576