

MODEL NUMBER

81-10527-4DE

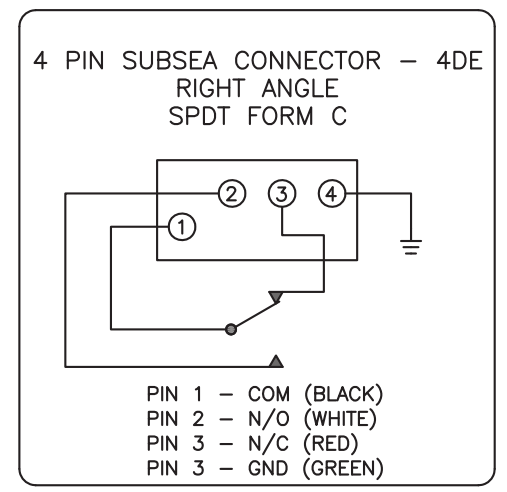
PRODUCT LINE

GO™ Switch Model 81

SPECIFICATIONS

Model	81 Model
Contact Form	SPDT (Form C)
Sensing Range	Approx. 1/4" end sensing
Outlet Position	Bottom of enclosure
Enclosure Material	Stainless steel
Area Classification	cUL certified, General Purpose
Wiring Options	4 pin SubSea QDC 90°
Regional Certification	no regional certification
Custom field	

WIRING DIAGRAM



NAMEPLATE

COUNTRY OF ORIGIN US

TYPE 4X
ELECTRICAL RATING: 120VAC/10A, 24VDC/3A RESISTIVE; 600VAC MAX

Model #: Serial #:



Electrol

www.electrosupply.com
sales@electrosupply.com
1-800-663-6576