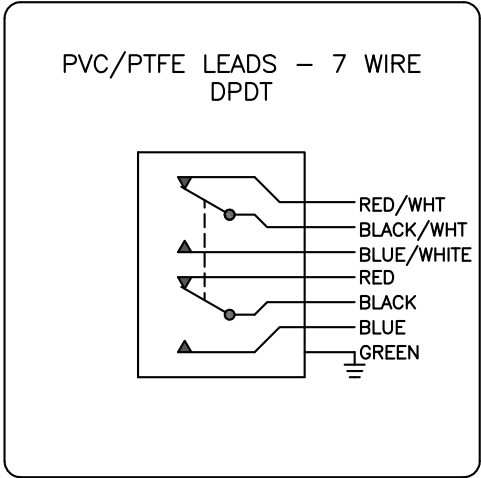


7H-23568-A2

GO™ Switch 70 Series Straight

Model	7H Model
Contact Form	DPDT
Sensing Range	0.100" end sensing
Outlet Position	Bottom of enclosure
Enclosure Material	316L SS, 2000 PSI
Area Classification	UL General Purpose
Wiring Option	PVC leads, 3ft
Regional Certification	No Regional Certification
Custom Field	



Type 4X
120VAC/3A; 24VDC/1A



www.electrosupply.com
sales@electrosupply.com
1-800-663-6576