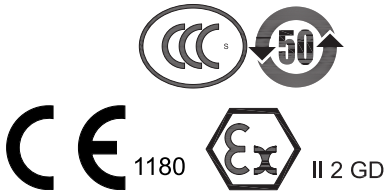
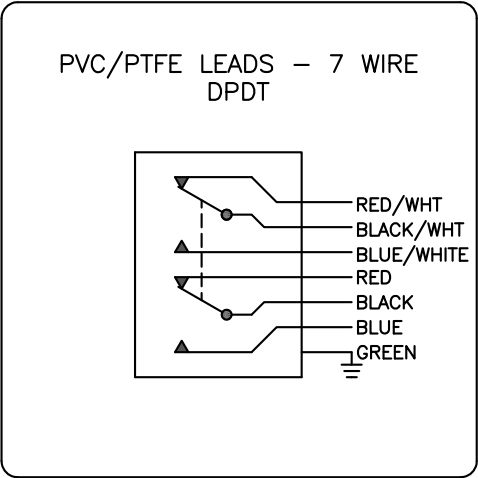
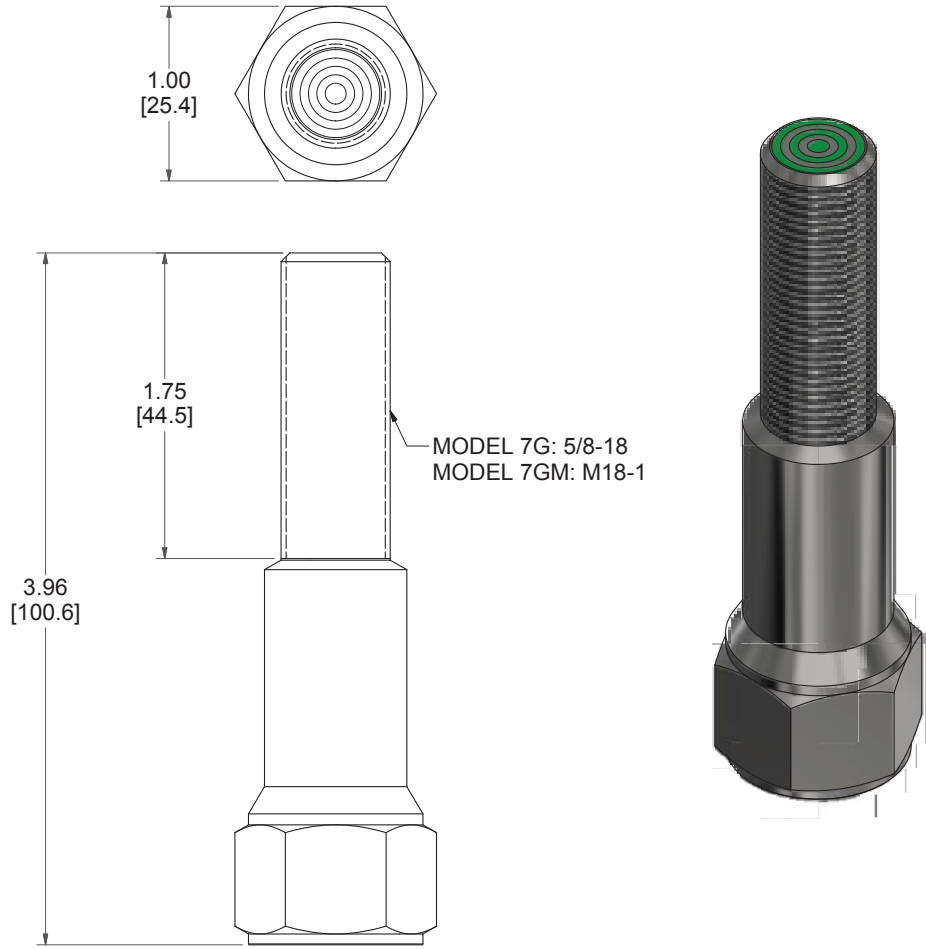


7G-23569-A3

GO™ Switch 70 Series Hex Head

|                        |                           |
|------------------------|---------------------------|
| Model                  | 7G Model                  |
| Contact Form           | DPDT                      |
| Sensing Range          | 0.100" end sensing        |
| Outlet Position        | Bottom of enclosure       |
| Enclosure Material     | 316L Stainless Steel      |
| Area Classification    | ATEX/IECEX Zone 1, Exdb   |
| Wiring Option          | PVC leads, 6ft            |
| Regional Certification | No Regional Certification |
| Custom Field           |                           |



Ex db IIC T6 Gb  
 Ex tb IIIC T85°C Db  
 -40°C ≤ Ta ≤ 50°C; IP66  
 120VAC/3A; 24VDC/1A  
 Conduit: 1/2 NPT  
 Baseefa 08ATEX0360X IECEX BAS 08.0122X



www.electrosupply.com  
 sales@electrosupply.com  
 1-800-663-6576