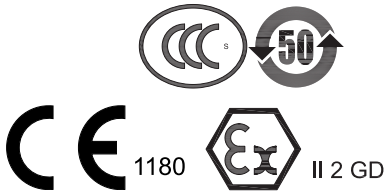
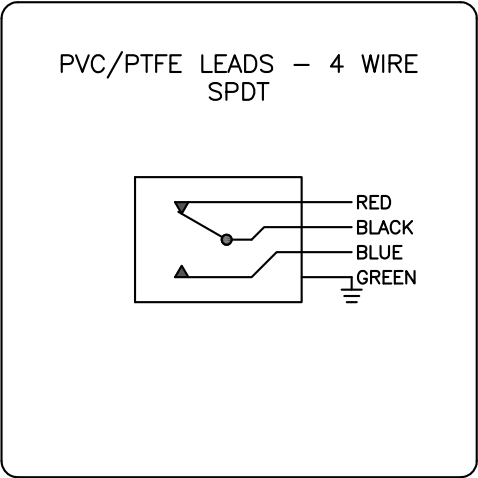
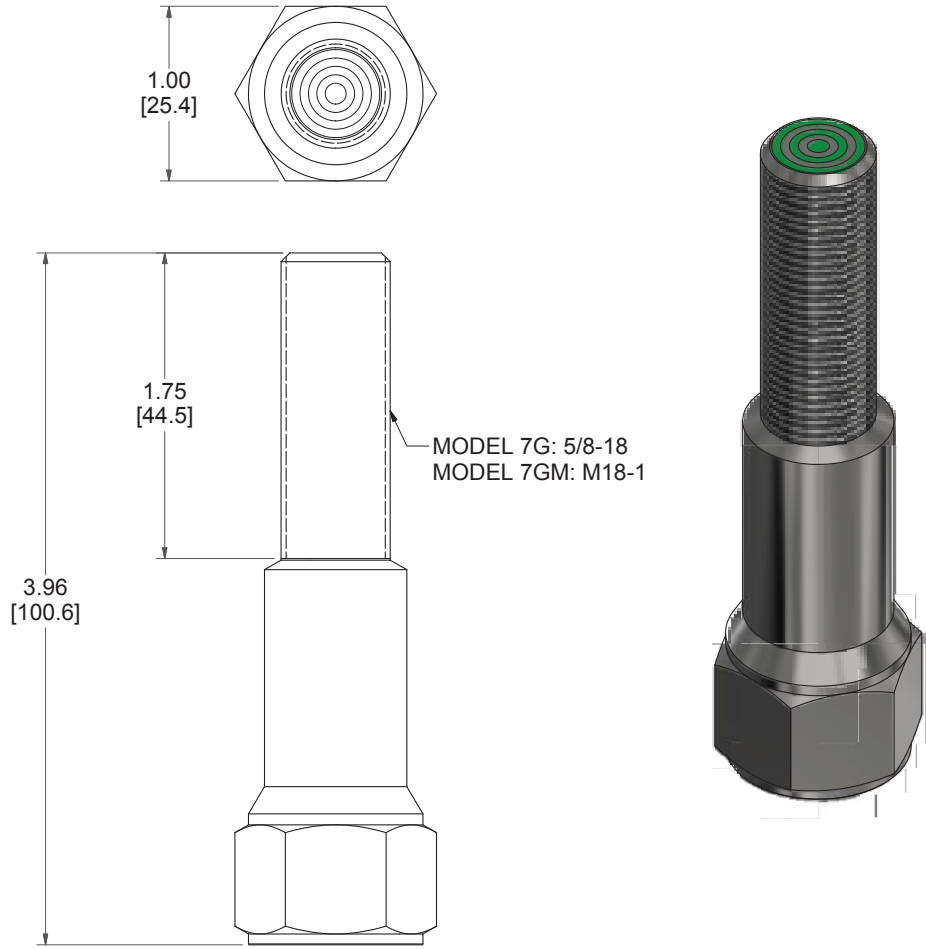


7G-1356T-F2

GO™ Switch 70 Series Hex Head

Model	7G Model
Contact Form	SPDT
Sensing Range	0.100" end sensing
Outlet Position	Bottom of enclosure
Enclosure Material	316L Stainless Steel
Area Classification	ATEX/IECEX Zone 1, Exdb
Wiring Option	HiTemp leads, Teflon, 3ft
Regional Certification	No Regional Certification
Custom Field	



Ex db IIC T4/T3 Gb
 Ex tb IIIC T135°C/T200°C Db
 -40°C ≤ Ta ≤ 100°C/150°C; IP66
 120VAC/4A; 24VDC/3A
 Conduit: 1/2 NPT - Hermetically Sealed
 Baseefa 08ATEX0360X IECEX BAS 08.0122X



Electrol www.electrosupply.com
sales@electrosupply.com
 1-800-663-6576