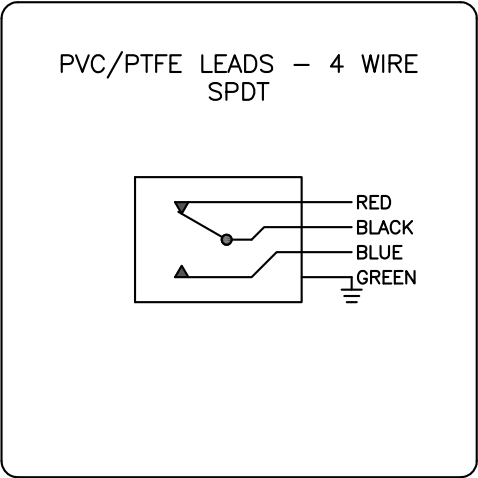
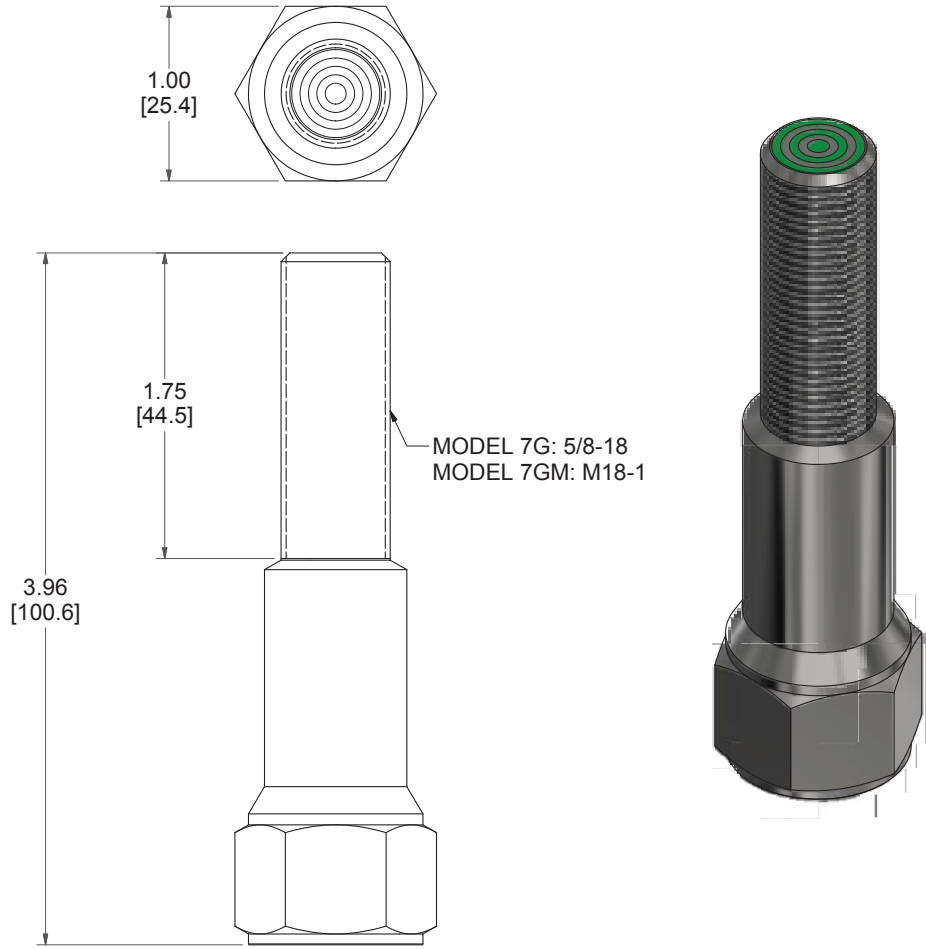


7G-13568-A2

GO™ Switch 70 Series Hex Head

Model	7G Model
Contact Form	SPDT
Sensing Range	0.100" end sensing
Outlet Position	Bottom of enclosure
Enclosure Material	316L Stainless Steel
Area Classification	UL General Purpose
Wiring Option	PVC leads, 3ft
Regional Certification	No Regional Certification
Custom Field	



Type 4X  
 120VAC/4A; 24VDC/3A  
 Conduit: 1/2 NPT - Hermetically Sealed



www.electrosupply.com  
 sales@electrosupply.com  
 1-800-663-6576