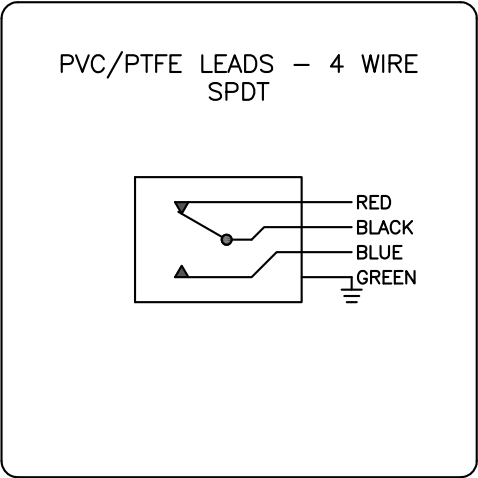
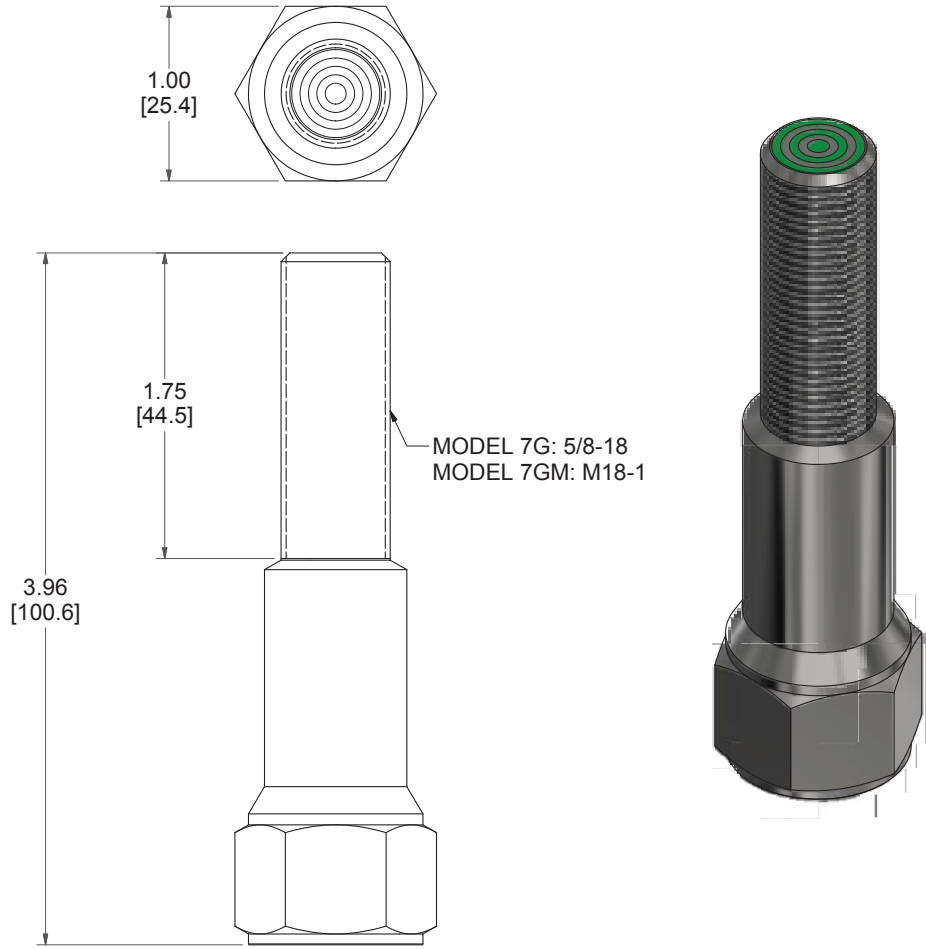


7G-13564-A3

GO™ Switch 70 Series Hex Head

Model	7G Model
Contact Form	SPDT
Sensing Range	0.100" end sensing
Outlet Position	Bottom of enclosure
Enclosure Material	316L Stainless Steel
Area Classification	cUL Cl I, Div 1
Wiring Option	PVC leads, 6ft
Regional Certification	No Regional Certification
Custom Field	



Class I, Division 1, Groups A,B,C,D; Type 4X  
 Class II, Division 1, Groups E,F,G; Class III  
 120VAC/4A; 24VDC/3A  
 Conduit: 1/2 NPT - Hermetically Sealed



**Electrol** [www.electrosupply.com](http://www.electrosupply.com)  
[sales@electrosupply.com](mailto:sales@electrosupply.com)  
 1-800-663-6576