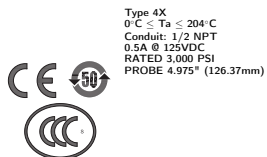
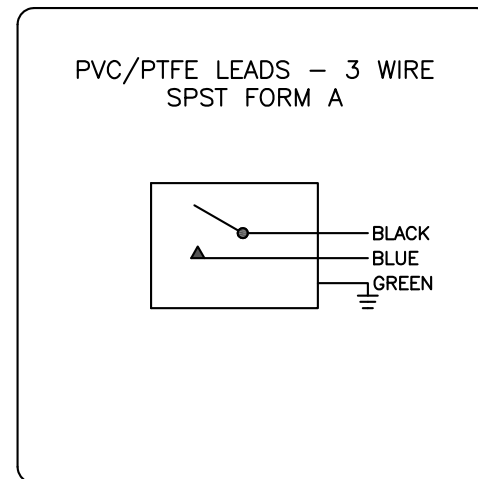


7FV773752-F4

GO™ Switch 70 Series STG

Model	4.975" probe length
Contact Form	SPST, form A, no indication
Sensing Range	0.090" end sensing
Outlet Position	Side entry, 1/2" NPT conduit
Enclosure Material	Stainless steel, 3000 PSI
Area Classification	HiTemp, 400F
Wiring Option	Teflon leads, 12ft
Custom Field	



www.electrosupply.com
 sales@electrosupply.com
 1-800-663-6576