



MODEL NUMBER

7FV743757-A2

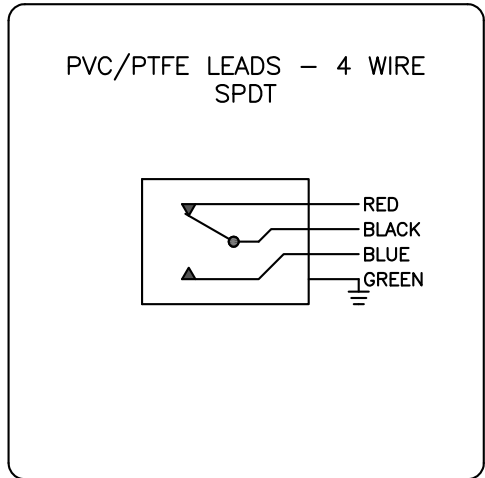
PRODUCT LINE

GO™ Switch 70 Series STG

SPECIFICATIONS

| | |
|---------------------|------------------------------|
| Model | 4.975" probe length |
| Contact Form | SPDT, no indication |
| Sensing Range | 0.090" end sensing |
| Outlet Position | Side entry, 1/2" NPT conduit |
| Enclosure Material | Stainless steel, 3000 PSI |
| Area Classification | cUL General Purpose |
| Wiring Option | PVC Lead Wires - 3ft |
| Custom Field | |

WIRING DIAGRAM



NAMEPLATE

Type 4X
 0°C ≤ Ta ≤ 40°C
 Conduit: 1/2 NPT
 0.5A @ 125VDC
 RATED 3,000 PSI
 PROBE 4.975" (126.37mm)



www.electrosupply.com
 sales@electrosupply.com
 1-800-663-6576