



**MODEL NUMBER**

7FV373752-F4

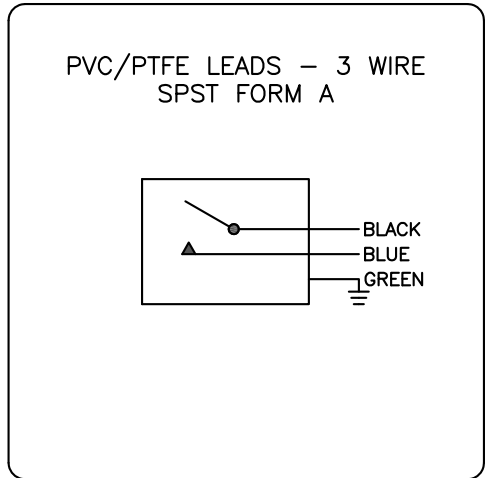
**PRODUCT LINE**

GO™ Switch 70 Series STG



**SPECIFICATIONS**

Model	4.875" probe length
Contact Form	SPST, form A, no indication
Sensing Range	0.090" end sensing
Outlet Position	Side entry, 1/2" NPT conduit
Enclosure Material	Stainless steel, 3000 PSI
Area Classification	HiTemp, 400F
Wiring Option	Teflon leads, 12ft
Custom Field	

**WIRING DIAGRAM**



**NAMEPLATE**



  
 Type 4X  
 0°C ≤ Ta ≤ 204°C  
 Conduit: 1/2 NPT  
 0.5A @ 125VDC  
 RATED 3,000 PSI  
 PROBE 4.875" (123.83mm)



[www.electrosupply.com](http://www.electrosupply.com)  
[sales@electrosupply.com](mailto:sales@electrosupply.com)  
 1-800-663-6576