



MODEL NUMBER

7FS673752-F4

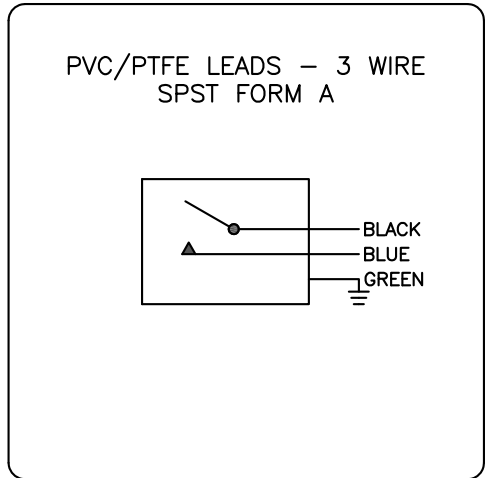
PRODUCT LINE

GO™ Switch 70 Series STG



SPECIFICATIONS

Model	4.5" probe length
Contact Form	SPST, form A, no indication
Sensing Range	0.090" end sensing
Outlet Position	Side entry, 1/2" NPT conduit
Enclosure Material	Stainless steel, 3000 PSI
Area Classification	HiTemp, 400F
Wiring Option	Teflon leads, 12ft
Custom Field	

WIRING DIAGRAM



NAMEPLATE

 Type 4X
 0°C ≤ Ta ≤ 204°C
 Conduit: 1/2 NPT
 0.5A @ 125VDC
 RATED 3,000 PSI
 PROBE 4.500" (114.30mm)



www.electrosupply.com
sales@electrosupply.com
 1-800-663-6576