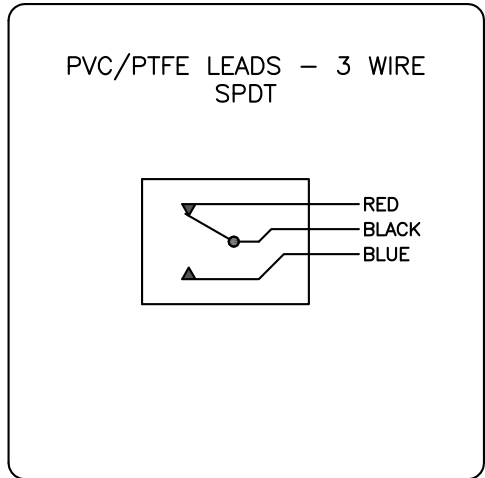




7FH743752-F2

GO™ Switch 70 Series STG

Model	2.725" probe length
Contact Form	SPDT, no indication
Sensing Range	0.090" end sensing
Outlet Position	Side entry, 1/2" NPT conduit
Enclosure Material	Stainless steel, 3000 PSI
Area Classification	HiTemp, 400F
Wiring Option	Teflon leads, 3ft
Custom Field	





  
 Type 4X  
 0°C ≤ Ta ≤ 204°C  
 Conduit: 1/2 NPT  
 0.5A @ 125VDC  
 RATED 3,000 PSI  
 PROBE 2.725" (69.22mm)




  
[www.electrosupply.com](http://www.electrosupply.com)  
[sales@electrosupply.com](mailto:sales@electrosupply.com)  
 1-800-663-6576