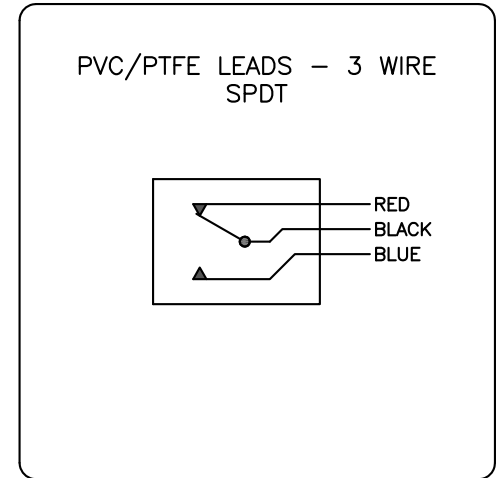




7FH143252-F2

GO™ Switch 70 Series STG

Model	2.575" probe length
Contact Form	SPDT, no indication
Sensing Range	0.090" end sensing
Outlet Position	Side entry, no conduit hub
Enclosure Material	Stainless steel, 3000 PSI
Area Classification	HiTemp, 400F
Wiring Option	Teflon leads, 3ft
Custom Field	





  
 Type 4X  
 0°C ≤ Ta ≤ 204°C  
 0.5A @ 125VDC  
 RATED 3,000 PSI  
 PROBE 2.575" (65.41mm)




  
[www.electrosupply.com](http://www.electrosupply.com)  
[sales@electrosupply.com](mailto:sales@electrosupply.com)  
 1-800-663-6576